



# Technical datasheet

## SPT80000/D



Brand	EREA
Article Number	SPT80000/D
EAN-code Barcode	5414503105264
Code	1743
Product type	Three-phase separating transformer
Primary Voltage	3x 400V Δ
Secondary Voltage	3 x 230V Δ -- 3x 400V Y+N
Power	80 000 VA
Standards	EN 60726   EN 60076

### General properties

Applications	For industrial applications	Maximum ambient temperature ta	40 °C
Protection class	Prepared for protection class I	Temperature class transfo	F
Degree of protection	IP00	Finishing	Vacuum- and pressure- varnish impregnated

### Electrical properties

Frequency	50-60 Hz	Efficiency	98,1 %
Po	405 W	Pcu	1080 W
Dielectric Strength	4500 Vac	Insulation resistance	200 MΩ
Dielectric strength referred to frame	2500 Vac	Specific property	Primary delta connected, secondary not connected
Voltage drop (dU%)	1,37 %	Short-circuit voltage (Ucc %)	-
Recommended fuse PRI	MCCB200A ( 3x400V Δ )	Recommended fuse SEC	MCCB200A ( 3x230V Δ )   C125A ( 3x400V Y+N )

### Mechanical properties

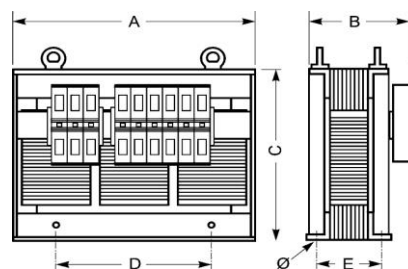
Primary connection	Nut fixing M12
Secondary connection	Nut fixing M12
Fixation	Supports with fixing holes

### Protection case

Housing IP20	K20EI500/004
Housing IP23	K23EI500/004
Housing IP44	K44EI500/020

### Dimensions/weight

Dimensions AxBxC	640x430x500 mm
Dimension D	400 mm
Dimension E	245 mm
Dimension Φ	11 mm
Weight	320 kg

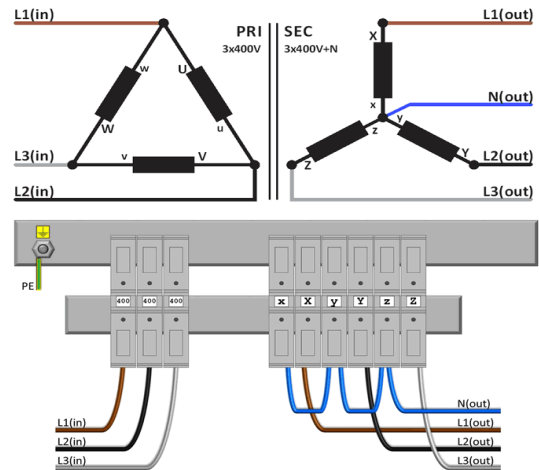
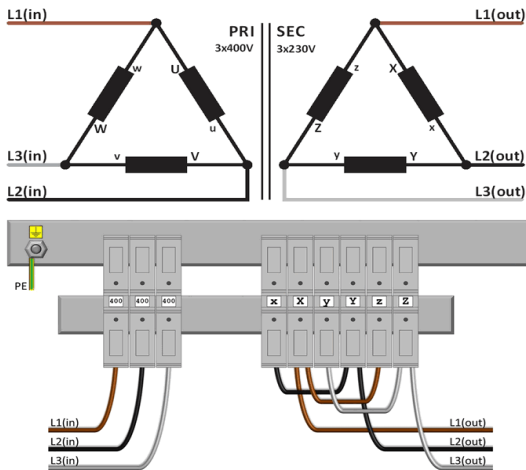




## Connection diagram SPT80000/D

400V  $\Delta$   $\rightarrow$  230V  $\Delta$

400V  $\Delta$   $\rightarrow$  400V Y+N





## Accessories SPT80000/D

IP20 housing



**K20EI500/004**

IP23 housing



**K23EI500/004**

Vibration damper

(4 pieces needed per transformer)



**Silent block 120**



rev. 13.11.2020