

# Technical datasheet

## SPT63000



Brand	EREA
Article Number	SPT63000
EAN-code Barcode	5414503004772
Code	2716
Product type	Three-phase separating transformer
Primary Voltage	3x 230V Δ -- 3x 400V Y+N
Secondary Voltage	3 x 230V Δ -- 3x 400V Y+N
Power	63 000 VA
Standards	EN 60726   EN 60076

### General properties

Applications	For industrial applications	Maximum ambient temperature ta	40 °C
Protection class	Prepared for protection class I	Temperature class transfo	F
Degree of protection	IP00	Finishing	Vacuum- and pressure- varnish impregnated

### Electrical properties

Frequency	50-60 Hz	Efficiency	97,7 %
Po	376 W	Pcu	1101 W
Dielectric Strength	4500 Vac	Insulation resistance	200 MΩ
Dielectric strength referred to frame	2500 Vac	Specific property	Windings not connected
Voltage drop (dU%)	1,79 %	Short-circuit voltage (Ucc %)	-
Recommended fuse PRI	MCCB250A ( 3x230V Δ ) MCCB160A ( 3x400V Y+N )	Recommended fuse SEC	MCCB160A ( 3x230V Δ ) C100A ( 3x400V Y+N )

### Mechanical properties

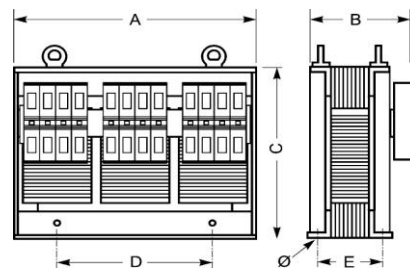
Primary connection	Nut fixing M10
Secondary connection	Nut fixing M10
Fixation	Supports with fixing holes

### Protection case

Housing IP20	U 2222723
Housing IP23	K23EI500/002
Housing IP44	K44EI500/010

### Dimensions/weight

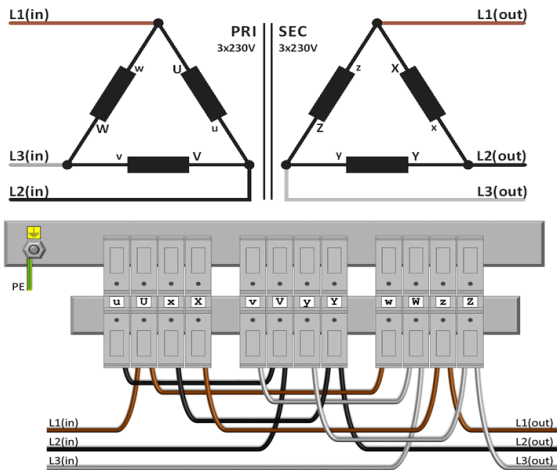
Dimensions AxBxC	640x385x500 mm
Dimension D	400 mm
Dimension E	210 mm
Dimension Ø	11 mm
Weight	250 kg



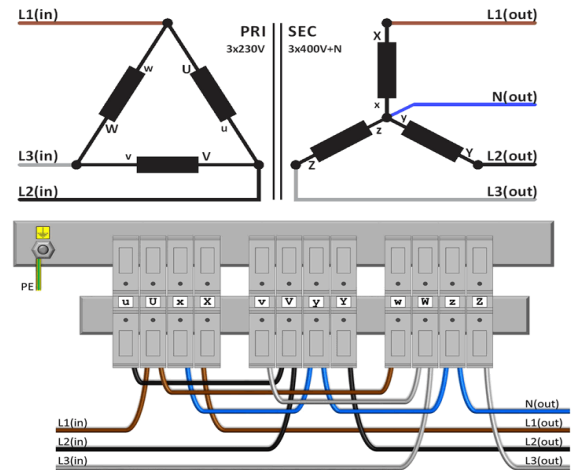


## Connection diagram SPT63000

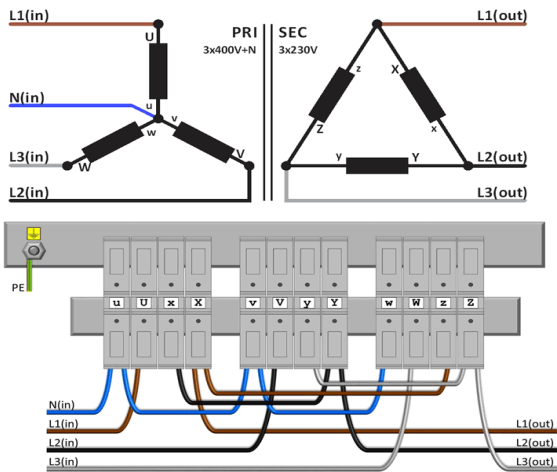
### 230V Δ → 230V Δ



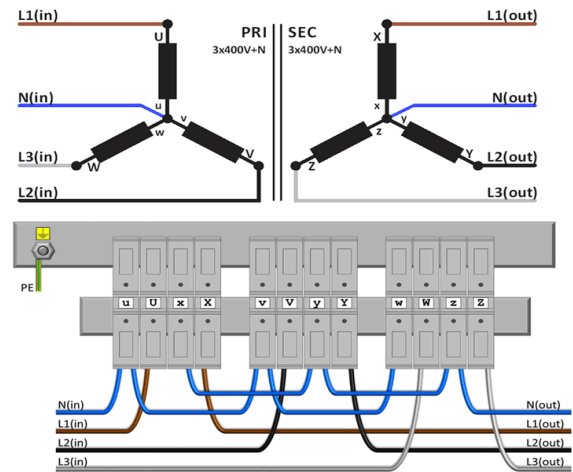
### 230V Δ → 400V Y+N



### 400V Y+N → 230V Δ



### 400V Y+N → 400V Y+N





## Accessories SPT63000

IP20 housing

**U 2222723**



IP23 housing

**K23EI500/002**



Vibration damper

(4 pieces needed per transformer)

**Silent block 75**

