



Technical datasheet

SPT6300



Brand	EREA
Article Number	SPT6300
EAN-code Barcode	5414503004765
Code	2715
Product type	Three-phase separating transformer
Primary Voltage	3x 230V Δ -- 3x 400V Y+N
Secondary Voltage	3 x 230V Δ -- 3x 400V Y+N
Power	6 300 VA
Standards	EN 61558-2-4 (EN 60742)

General properties

Applications	For industrial applications	Maximum ambient temperature ta	40 °C
Protection class	Prepared for protection class I	Temperature class transfo	B
Degree of protection	IP00	Finishing	Vacuum- and pressure- varnish impregnated

Electrical properties

Frequency	50-60 Hz	Efficiency	96 %
Po	89,5 W	Pcu	168 W
Dielectric Strength	4500 Vac	Insulation resistance	200 MΩ
Dielectric strength referred to frame	2500 Vac	Specific property	Windings not connected
Voltage drop (dU%)	2,8 %	Short-circuit voltage (Ucc %)	-
Recommended fuse PRI	D32A / C63A (3x230V Δ) D20A/C40A (3x400V Y+N)	Recommended fuse SEC	C16A (3x230V Δ) C10A (3x400V Y+N)

Mechanical properties

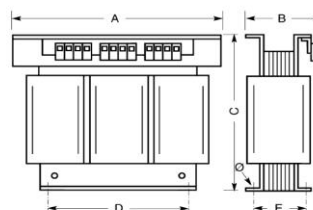
Primary connection	Screw terminals 4 mm ²
Secondary connection	Screw terminals 4 mm ²
Fixation	Supports with fixing holes

Protection case

Housing IP20	U 222752
Housing IP23	K23EI300/005
Housing IP44	K44EI300/010

Dimensions/weight

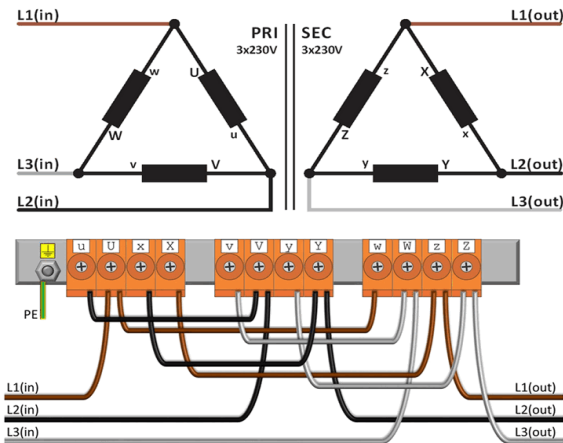
Dimensions AxBxC	360x175x310 mm
Dimension D	240 mm
Dimension E	145 mm
Dimension Φ	11 mm
Weight	53 kg



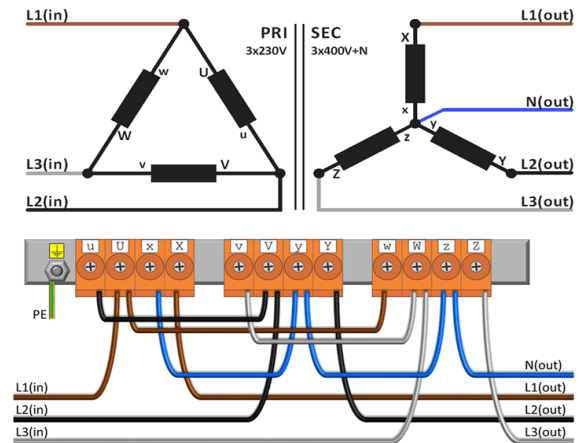


Connection diagram SPT6300

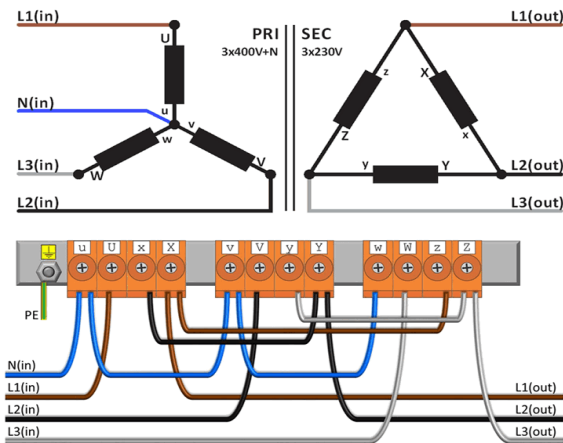
230V Δ → 230V Δ



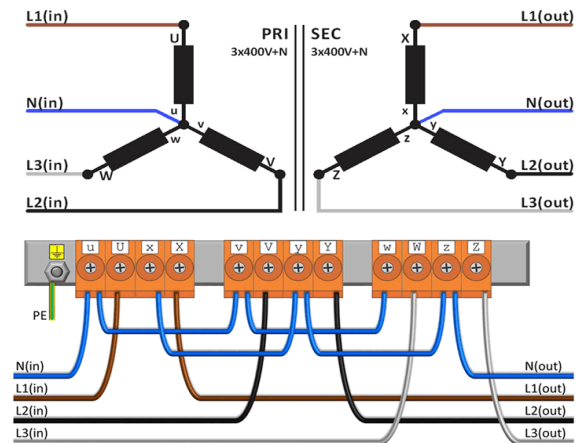
230V Δ → 400V Y+N



400V Y+N → 230V Δ



400V Y+N → 400V Y+N





Accessories SPT6300

IP20 housing

U 222752



IP23 housing

K23EI300/005



Vibration damper

(4 pieces needed per transformer)

Silent block 20



Inrush current limiter

IRC 230/400V-16A



rev. 13.11.2020