



Technical datasheet

SPT50000



Brand	EREA
Article Number	SPT50000
EAN-code Barcode	5414503004758
Code	2714
Product type	Three-phase separating transformer
Primary Voltage	3x 230V Δ -- 3x 400V Y+N
Secondary Voltage	3 x 230V Δ -- 3x 400V Y+N
Power	50 000 VA
Standards	EN 60726 EN 60076

General properties

Applications	For industrial applications	Maximum ambient temperature ta	40 °C
Protection class	Prepared for protection class I	Temperature class transfo	F
Degree of protection	IP00	Finishing	Vacuum- and pressure- varnish impregnated

Electrical properties

Frequency	50-60 Hz	Efficiency	97 %
Po	285 W	Pcu	1078 W
Dielectric Strength	4500 Vac	Insulation resistance	200 MΩ
Dielectric strength referred to frame	2500 Vac	Specific property	Windings not connected
Voltage drop (dU%)	2,21 %	Short-circuit voltage (Ucc %)	-
Recommended fuse PRI	MCCB200A (3x230V Δ) D125A (3x400V Y+N)	Recommended fuse SEC	C125A (3x230V Δ) C80A (3x400V Y+N)

Mechanical properties

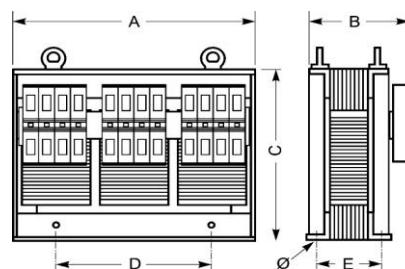
Primary connection	Nut fixing M10
Secondary connection	Nut fixing M10
Fixation	Supports with fixing holes

Protection case

Housing IP20	U 2222723
Housing IP23	K23EI500/001
Housing IP44	K44EI500/010

Dimensions/weight

Dimensions AxBxC	640x360x500 mm
Dimension D	400 mm
Dimension E	180 mm
Dimension Φ	11 mm
Weight	200 kg

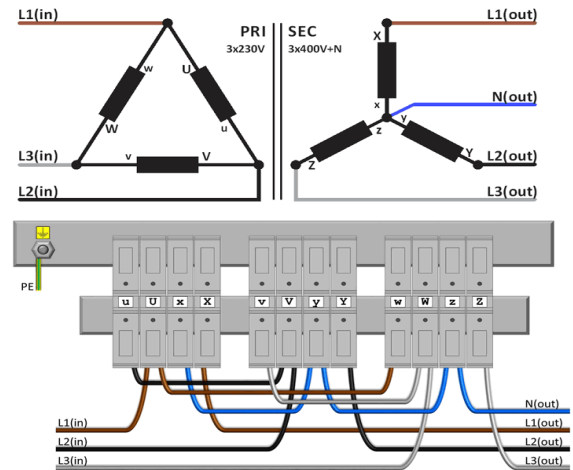
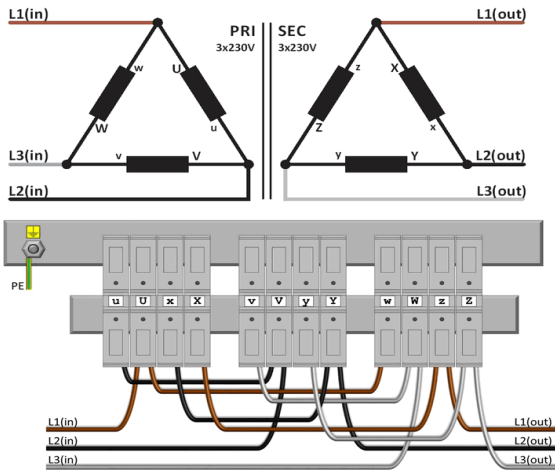




Connection diagram SPT50000

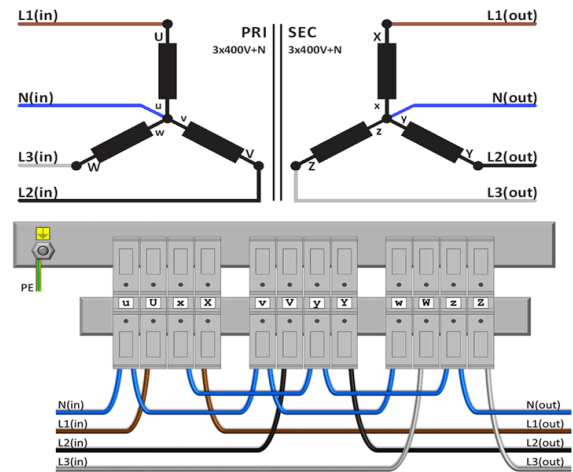
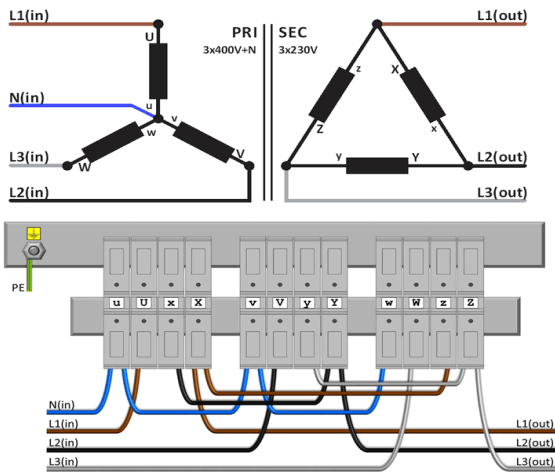
230V Δ → 230V Δ

230V Δ → 400V Y+N



400V Y+N → 230V Δ

400V Y+N → 400V Y+N





Accessories SPT50000

IP20 housing

U 2222723



IP23 housing

K23EI500/001



Vibration damper

(4 pieces needed per transformer)

Silent block 75

