



Technical datasheet SPT4000/D/BTE



Document

Missing

Brand	EREA
Article Number	SPT4000/D/BTE
EAN-code Barcode	5414503105318
Code	1768
Product type	Three-phase separating transformer
Primary Voltage	3x 400V Δ
Secondary Voltage	3 x 230V Δ -- 3x 400V Y+N
Power	4 000 VA
Standards	EN 61558-2-4

General properties

Applications	For industrial applications	Maximum ambient temperature ta	40 °C
Protection class	Prepared for protection class I	Temperature class transfo	F
Degree of protection	IP00	Finishing	Vacuum- and pressure- varnish impregnated

Electrical properties

Frequency	50-60 Hz	Efficiency	96,3 %
Po	44 W	Pcu	108 W
Dielectric Strenght	4500 Vac	Insulation resistance	200 MΩ
Dielectric strength referred to frame	2500 Vac	Specific property	Primary delta connected, secondary not connected
Voltage drop (dU%)	4,7 %	Short-circuit voltage (Ucc %)	-
Recommended fuse PRI	D10A/C20A (3x400V Δ)	Recommended fuse SEC	C10A (3x230V Δ) C6A (3x400V Y+N)

Mechanical properties

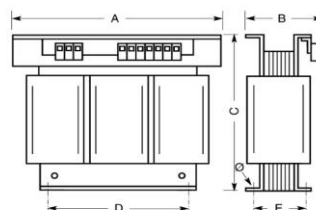
Primary connection	Screw terminals 4 mm ²
Secondary connection	Screw terminals 4 mm ²
Fixation	Supports with fixing holes

Protection case

Housing IP20	K20BTE/030
Housing IP23	K23BTE/030
Housing IP44	K44BTE/030

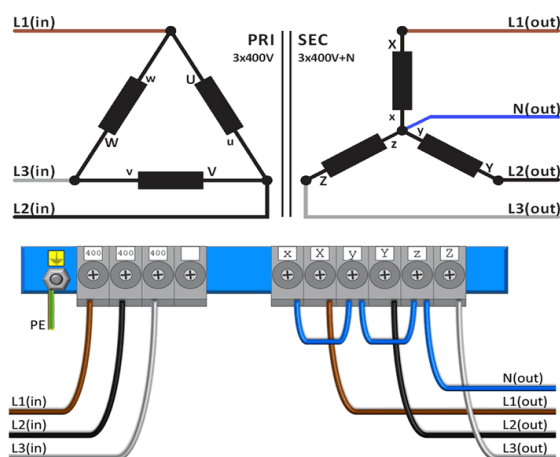
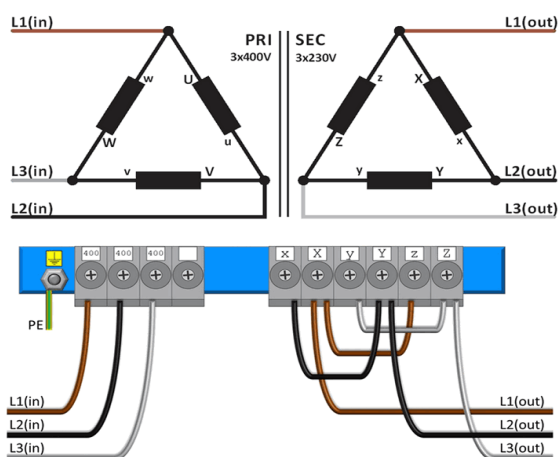
Dimensions/weight

Dimensions AxBxC	360x150x310 mm
Dimension D	240 mm
Dimension E	120 mm
Dimension Φ	11 mm
Weight	36 kg





Connection diagram SPT4000/D/BTE

400V Δ → 230V Δ
400V Δ → 400V Y+N




Accessories SPT4000/D/BTE

IP20 housing

K20BTE/030



IP23 housing

K23BTE/030



Vibration damper

(4 pieces needed per transformer)

Silent block 50



rev. 13.11.2020