



# Technical datasheet

## SPT4000/D



Brand	EREA
Article Number	SPT4000/D
EAN-code Barcode	5414503105226
Code	1733
Product type	Three-phase separating transformer
Primary Voltage	3x 400V Δ
Secondary Voltage	3 x 230V Δ -- 3x 400V Y+N
Power	4 000 VA
Standards	EN 61558-2-4 (EN 60742)

### General properties

Applications	For industrial applications	Maximum ambient temperature ta	40 °C
Protection class	Prepared for protection class I	Temperature class transfo	B
Degree of protection	IP00	Finishing	Vacuum- and pressure- varnish impregnated

### Electrical properties

Frequency	50-60 Hz	Efficiency	94 %
Po	56 W	Pcu	181 W
Dielectric Strength	4500 Vac	Insulation resistance	200 MΩ
Dielectric strength referred to frame	2500 Vac	Specific property	Primary delta connected, secondary not connected
Voltage drop (dU%)	4,7 %	Short-circuit voltage (Ucc %)	-
Recommended fuse PRI	D10A/C20A ( 3x400V Δ )	Recommended fuse SEC	C10A ( 3x230V Δ ) C6A ( 3x400V Y+N )

### Mechanical properties

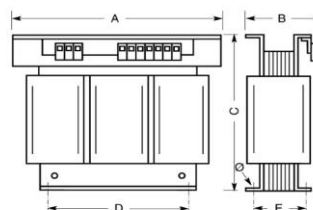
Primary connection	Screw terminals 2,5 mm <sup>2</sup>
Secondary connection	Screw terminals 2,5 mm <sup>2</sup>
Fixation	Supports with fixing holes

### Protection case

Housing IP20	U 222752
Housing IP23	K23EI300/004
Housing IP44	K44EI300/010

### Dimensions/weight

Dimensions AxBxC	360x150x310 mm
Dimension D	240 mm
Dimension E	120 mm
Dimension Φ	11 mm
Weight	36 kg

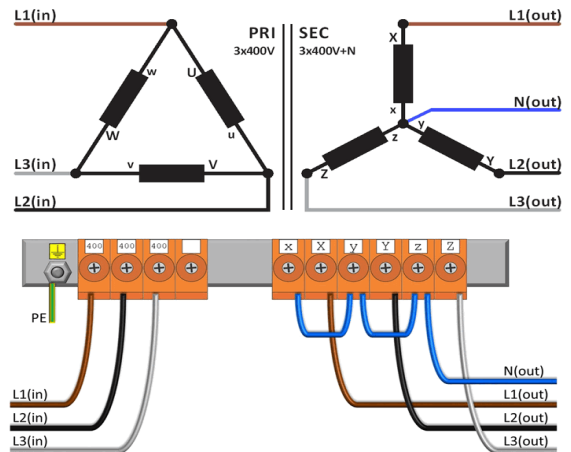
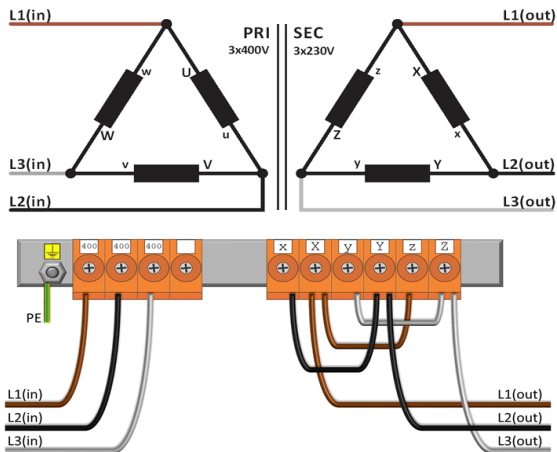




## Connection diagram SPT4000/D

400V  $\Delta$   $\rightarrow$  230V  $\Delta$

400V  $\Delta$   $\rightarrow$  400V Y+N





## Accessories SPT4000/D

IP20 housing

**U 222752**



IP23 housing

**K23EI300/004**



Vibration damper

(4 pieces needed per transformer)

**Silent block 20**



Inrush current limiter

**IRC 230/400V-8A**



rev. 13.11.2020