



Technical datasheet

SPT40000/D



Brand	EREA
Article Number	SPT40000/D
EAN-code Barcode	5414503104991
Code	1740
Product type	Three-phase separating transformer
Primary Voltage	3x 400V Δ
Secondary Voltage	3 x 230V Δ -- 3x 400V Y+N
Power	40 000 VA
Standards	EN 60726 EN 60076

General properties

Applications	For industrial applications	Maximum ambient temperature ta	40 °C
Protection class	Prepared for protection class I	Temperature class transfo	F
Degree of protection	IP00	Finishing	Vacuum- and pressure- varnish impregnated

Electrical properties

Frequency	50-60 Hz	Efficiency	97,4 %
Po	305 W	Pcu	780 W
Dielectric Strength	4500 Vac	Insulation resistance	200 MΩ
Dielectric strength referred to frame	2500 Vac	Specific property	Primary delta connected, secondary not connected
Voltage drop (dU%)	1,9 %	Short-circuit voltage (Ucc %)	-
Recommended fuse PRI	D100A (3x400V Δ)	Recommended fuse SEC	C100A (3x230V Δ) C63A (3x400V Y+N)

Mechanical properties

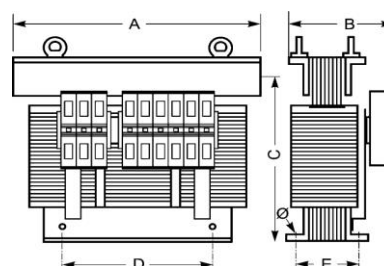
Primary connection	Nut fixing M8
Secondary connection	Nut fixing M8
Fixation	Supports with fixing holes

Protection case

Housing IP20	U 2222722
Housing IP23	K23EI400/004
Housing IP44	K44EI400/030

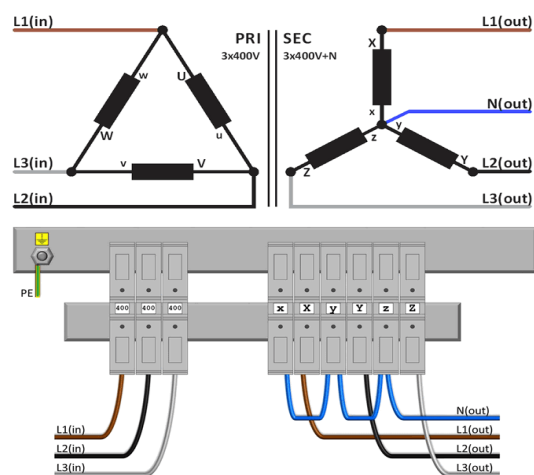
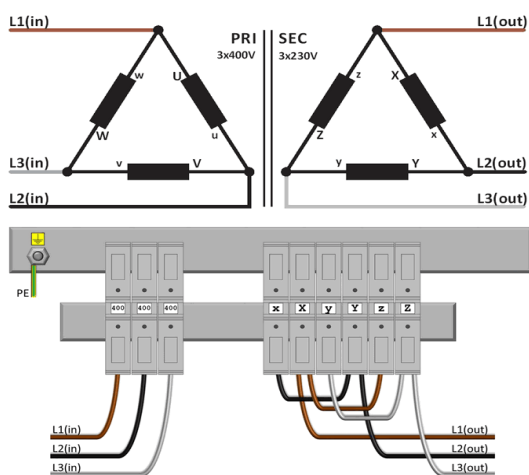
Dimensions/weight

Dimensions AxBxC	480x340x415 mm
Dimension D	320 mm
Dimension E	240 mm
Dimension Φ	11 mm
Weight	174 kg





Connection diagram SPT40000/D

400V Δ → 230V Δ
400V Δ → 400V Y+N




Accessories SPT40000/D

IP20 housing

U 2222722



IP23 housing

K23EI400/004



Vibration damper

(4 pieces needed per transformer)

Silent block 75

