



Technical datasheet

SPT40000



Brand	EREA
Article Number	SPT40000
EAN-code Barcode	5414503004741
Code	2713
Product type	Three-phase separating transformer
Primary Voltage	3x 230V Δ -- 3x 400V Y+N
Secondary Voltage	3 x 230V Δ -- 3x 400V Y+N
Power	40 000 VA
Standards	EN 60726 EN 60076

General properties

Applications	For industrial applications	Maximum ambient temperature ta	40 °C
Protection class	Prepared for protection class I	Temperature class transfo	F
Degree of protection	IP00	Finishing	Vacuum- and pressure- varnish impregnated

Electrical properties

Frequency	50-60 Hz	Efficiency	97,7 %
Po	295 W	Pcu	805 W
Dielectric Strength	4500 Vac	Insulation resistance	200 MΩ
Dielectric strength referred to frame	2500 Vac	Specific property	Windings not connected
Voltage drop (dU%)	2 %	Short-circuit voltage (Ucc %)	-
Recommended fuse PRI	MCCB160A (3x230V Δ) D100A (3x400V Y+N)	Recommended fuse SEC	C100A (3x230V Δ) C63A (3x400V Y+N)

Mechanical properties

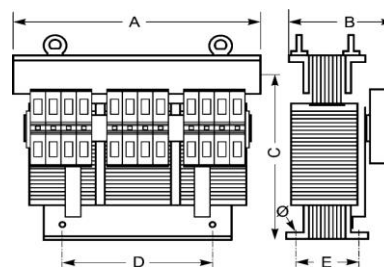
Primary connection	Nut fixing M8
Secondary connection	Nut fixing M8
Fixation	Supports with fixing holes

Protection case

Housing IP20	U 2222722
Housing IP23	K23EI400/004
Housing IP44	K44EI400/030

Dimensions/weight

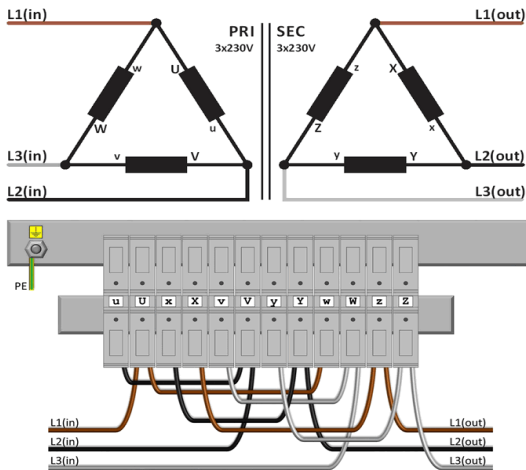
Dimensions AxBxC	480x340x415 mm
Dimension D	320 mm
Dimension E	240 mm
Dimension Φ	11 mm
Weight	174 kg



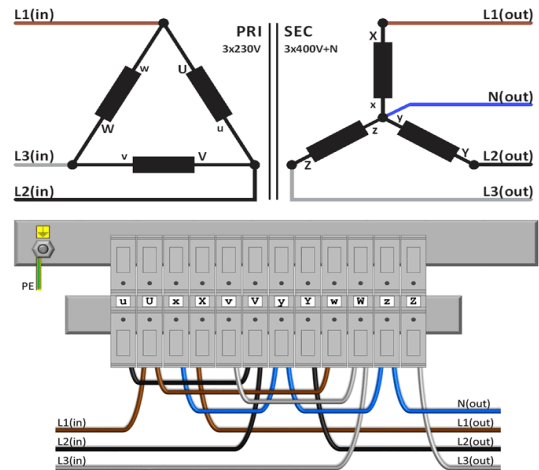


Connection diagram SPT40000

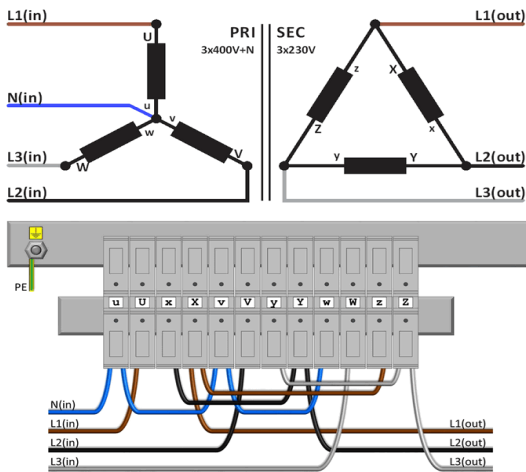
230V Δ → 230V Δ



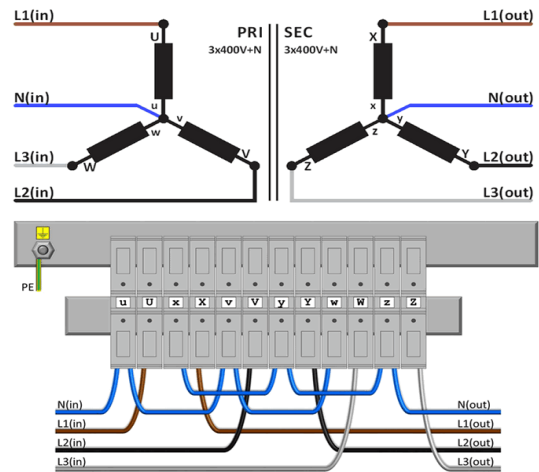
230V Δ → 400V Y+N



400V Y+N → 230V Δ



400V Y+N → 400V Y+N





Accessories SPT40000

IP20 housing

U 2222722



IP23 housing

K23EI400/004



Vibration damper

(4 pieces needed per transformer)

Silent block 75

