



# Technical datasheet SPT4000



Brand	EREA
Article Number	SPT4000
EAN-code Barcode	5414503004734
Code	2712
Product type	Three-phase separating transformer
Primary Voltage	3x 230V Δ -- 3x 400V Y+N
Secondary Voltage	3 x 230V Δ -- 3x 400V Y+N
Power	4 000 VA
Standards	EN 61558-2-4 (EN 60742)

## General properties

Applications	For industrial applications	Maximum ambient temperature ta	40 °C
Protection class	Prepared for protection class I	Temperature class transfo	B
Degree of protection	IP00	Finishing	Vacuum- and pressure- varnish impregnated

## Electrical properties

Frequency	50-60 Hz	Efficiency	94 %
Po	56 W	Pcu	181 W
Dielectric Strength	4500 Vac	Insulation resistance	200 MΩ
Dielectric strength referred to frame	2500 Vac	Specific property	Windings not connected
Voltage drop (dU%)	4,7 %	Short-circuit voltage (Ucc %)	-
Recommended fuse PRI	D16A / C32A ( 3x230V Δ ) D10A/C20A ( 3x400V Y+N )	Recommended fuse SEC	C10A ( 3x230V Δ ) C6A ( 3x400V Y+N )

## Mechanical properties

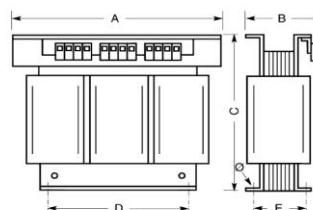
Primary connection	Screw terminals 2,5 mm <sup>2</sup>
Secondary connection	Screw terminals 2,5 mm <sup>2</sup>
Fixation	Supports with fixing holes

## Protection case

Housing IP20	U 222752
Housing IP23	K23EI300/004
Housing IP44	K44EI300/010

## Dimensions/weight

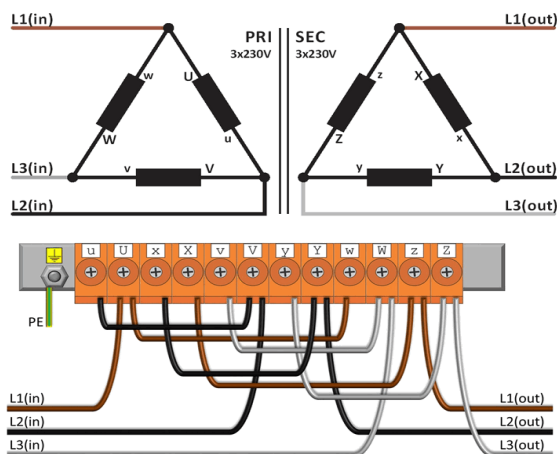
Dimensions AxBxC	360x150x310 mm
Dimension D	240 mm
Dimension E	120 mm
Dimension Φ	11 mm
Weight	36 kg



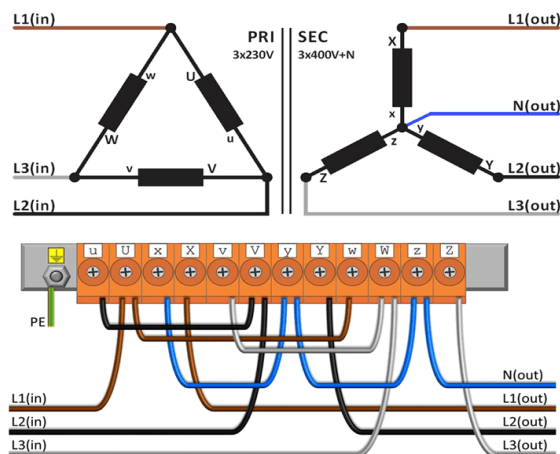


## Connection diagram SPT4000

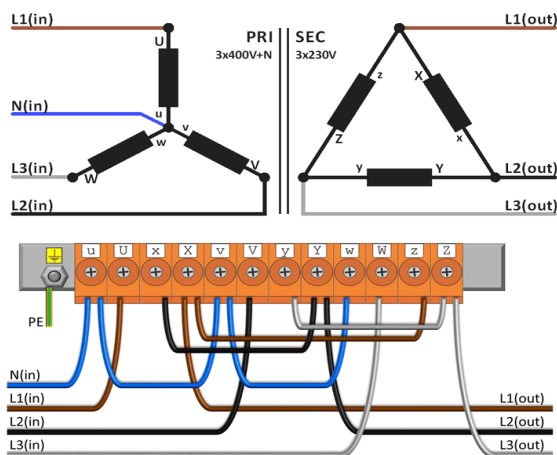
### 230V Δ → 230V Δ



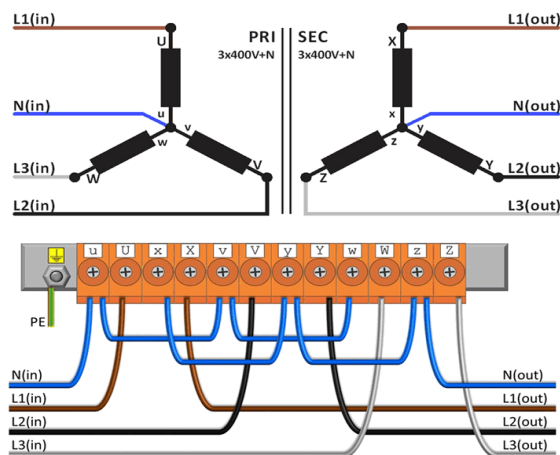
### 230V Δ → 400V Y+N



### 400V Y+N → 230V Δ



### 400V Y+N → 400V Y+N





## Accessories SPT4000

IP20 housing

**U 222752**



IP23 housing

**K23EI300/004**



Vibration damper

(4 pieces needed per transformer)

**Silent block 20**



Inrush current limiter

(Upri = 230V)

**IRC 230/400V-16A**



Inrush current limiter

(Upri = 400V)

**IRC 230/400V-8A**

