



# Technical datasheet SPT2500/D



Brand	EREA
Article Number	SPT2500/D
EAN-code Barcode	5414503105219
Code	1732
Product type	Three-phase separating transformer
Primary Voltage	3x 400V Δ
Secondary Voltage	3 x 230V Δ -- 3x 400V Y+N
Power	2 500 VA
Standards	EN 61558-2-4 (EN 60742)

## General properties

Applications	For industrial applications	Maximum ambient temperature ta	40 °C
Protection class	Prepared for protection class I	Temperature class transfo	B
Degree of protection	IP00	Finishing	Vacuum- and pressure- varnish impregnated

## Electrical properties

Frequency	50-60 Hz	Efficiency	95 %
Po	45,5 W	Pcu	70 W
Dielectric Strength	4500 Vac	Insulation resistance	200 MΩ
Dielectric strength referred to frame	2500 Vac	Specific property	Primary delta connected, secondary not connected
Voltage drop (dU%)	2,8 %	Short-circuit voltage (Ucc %)	-
Recommended fuse PRI	D8A/C16A ( 3x400V Δ )	Recommended fuse SEC	C8A ( 3x230V Δ ) C4A ( 3x400V Y+N )

## Mechanical properties

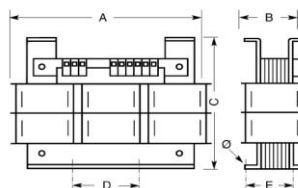
Primary connection	Screw terminals 2,5 mm <sup>2</sup>
Secondary connection	Screw terminals 2,5 mm <sup>2</sup>
Fixation	Supports with fixing holes

## Protection case

Housing IP20	K20EI220
Housing IP23	K23EI220/002
Housing IP44	K44EI220/010

## Dimensions/weight

Dimensions AxBxC	260x140x243 mm
Dimension D	100 mm
Dimension E	117 mm
Dimension Φ	11 mm
Weight	27 kg

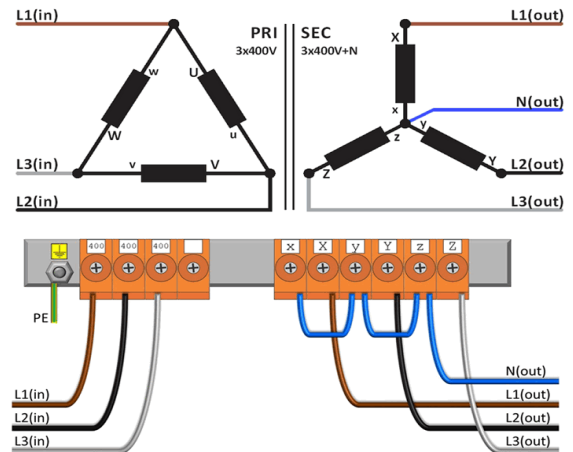
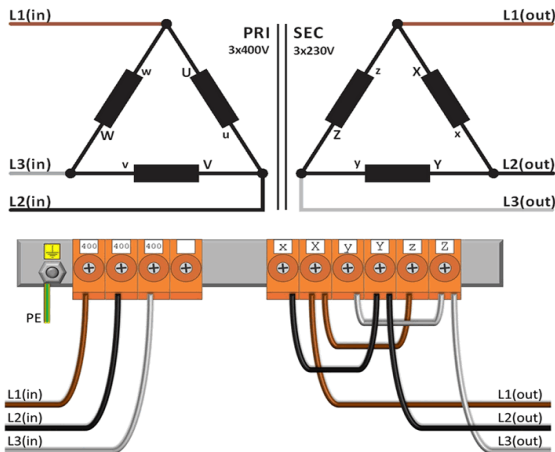




## Connection diagram SPT2500/D

400V  $\Delta$   $\rightarrow$  230V  $\Delta$

400V  $\Delta$   $\rightarrow$  400V Y+N





## Accessories SPT2500/D

IP20 housing

**K20EI220**



IP23 housing

**K23EI220/002**



Vibration damper

(4 pieces needed per transformer)

**Silent block 20**



Inrush current limiter

**IRC 230/400V-8A**



rev. 13.11.2020