



Technical datasheet

SPT25000/D/BTE



Brand	EREA
Article Number	SPT25000/D/BTE
EAN-code Barcode	5414503105363
Code	1773
Product type	Three-phase separating transformer
Primary Voltage	3x 400V Δ
Secondary Voltage	3 x 230V Δ -- 3x 400V Y+N
Power	25 000 VA
Standards	EN 61558-2-4

General properties

Applications	For industrial applications	Maximum ambient temperature ta	40 °C
Protection class	Prepared for protection class I	Temperature class transfo	F
Degree of protection	IP00	Finishing	Vacuum- and pressure- varnish impregnated

Electrical properties

Frequency	50-60 Hz	Efficiency	97,9 %
Po	150 W	Pcu	387 W
Dielectric Strength	4500 Vac	Insulation resistance	200 MΩ
Dielectric strength referred to frame	2500 Vac	Specific property	Primary delta connected, secondary not connected
Voltage drop (dU%)	1,42 %	Short-circuit voltage (Ucc %)	-
Recommended fuse PRI	D63A/C125A (3x400V Δ)	Recommended fuse SEC	C63A (3x230V Δ) C40A (3x400V Y+N)

Mechanical properties

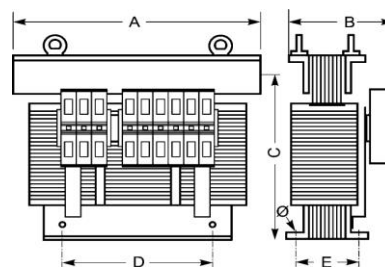
Primary connection	Nut fixing M8
Secondary connection	Nut fixing M8
Fixation	Supports with fixing holes

Protection case

Housing IP20	K20BTE/050
Housing IP23	K23BTE/055
Housing IP44	K44BTE/050

Dimensions/weight

Dimensions AxBxC	480x320x415 mm
Dimension D	320 mm
Dimension E	220 mm
Dimension Φ	11 mm
Weight	160 kg

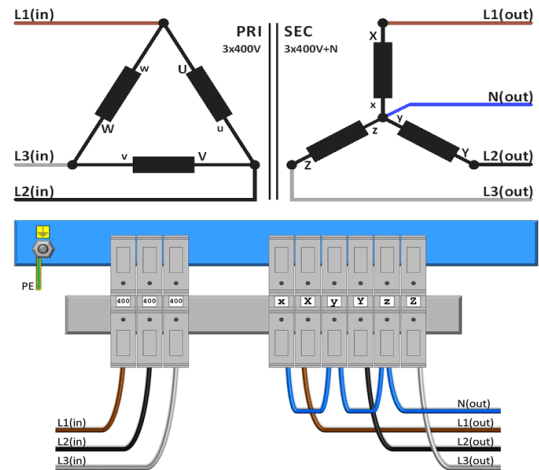
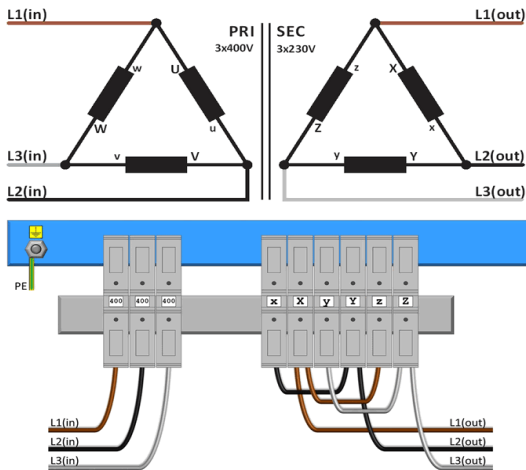




Connection diagram SPT25000/D/BTE

400V Δ \rightarrow 230V Δ

400V Δ \rightarrow 400V Y+N





Accessories SPT25000/D/BTE

IP20 housing

K20BTE/050



IP23 housing

K23BTE/055



Vibration damper

(4 pieces needed per transformer)

Silent block 50

