



Technical datasheet

SPT25000



Brand	EREA
Article Number	SPT25000
EAN-code Barcode	5414503004710
Code	2710
Product type	Three-phase separating transformer
Primary Voltage	3x 230V Δ -- 3x 400V Y+N
Secondary Voltage	3 x 230V Δ -- 3x 400V Y+N
Power	25 000 VA
Standards	EN 60726 EN 60076

General properties

Applications	For industrial applications	Maximum ambient temperature ta	40 °C
Protection class	Prepared for protection class I	Temperature class transfo	F
Degree of protection	IP00	Finishing	Vacuum- and pressure- varnish impregnated

Electrical properties

Frequency	50-60 Hz	Efficiency	96,4 %
Po	180 W	Pcu	747 W
Dielectric Strength	4500 Vac	Insulation resistance	200 MΩ
Dielectric strength referred to frame	2500 Vac	Specific property	Windings not connected
Voltage drop (dU%)	2,97 %	Short-circuit voltage (Ucc %)	-
Recommended fuse PRI	D100A (3x230V Δ) D63A/C125A (3x400V Y+N)	Recommended fuse SEC	C63A (3x230V Δ) C40A (3x400V Y+N)

Mechanical properties

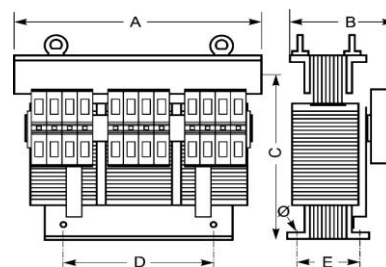
Primary connection	Nut fixing M8
Secondary connection	Nut fixing M8
Fixation	Supports with fixing holes

Protection case

Housing IP20	U 2222721
Housing IP23	K23EI400/003
Housing IP44	K44EI400/020

Dimensions/weight

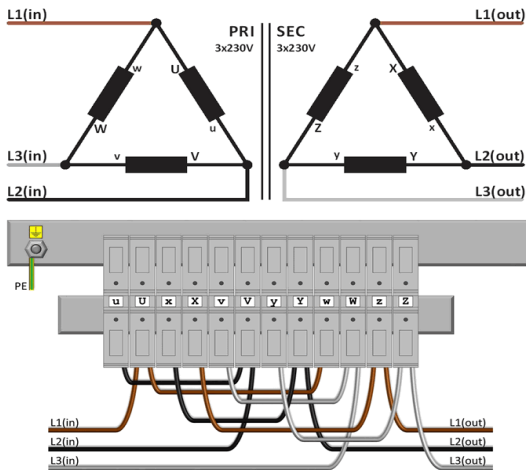
Dimensions AxBxC	480x290x415 mm
Dimension D	320 mm
Dimension E	190 mm
Dimension Φ	11 mm
Weight	119 kg



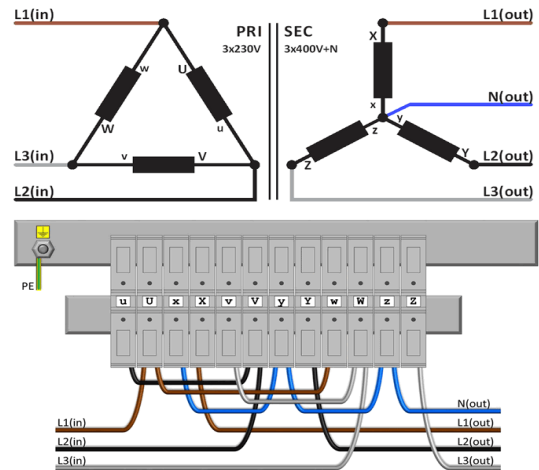


Connection diagram SPT25000

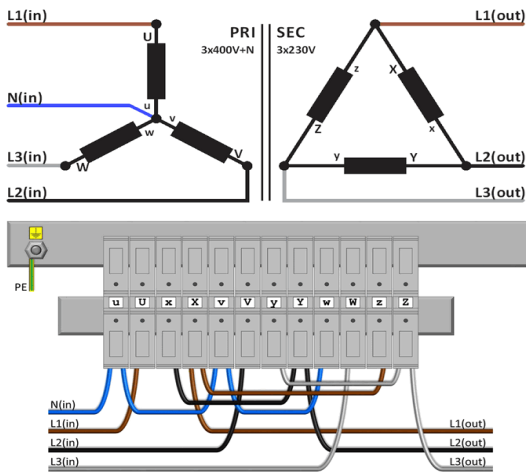
230V Δ → 230V Δ



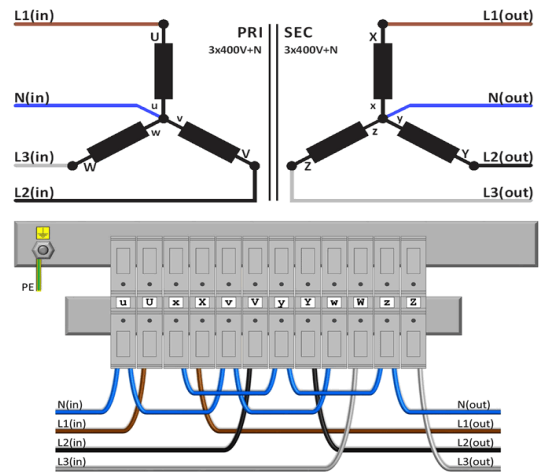
230V Δ → 400V Y+N



400V Y+N → 230V Δ



400V Y+N → 400V Y+N





Accessories SPT25000

IP20 housing

U 2222721



IP23 housing

K23EI400/003



Vibration damper

(4 pieces needed per transformer)

Silent block 50

