



# Technical datasheet SPT20000/BTE



Brand	EREA
Article Number	SPT20000/BTE
EAN-code Barcode	5414503099204
Code	1716
Product type	Three-phase separating transformer
Primary Voltage	3x 230V Δ -- 3x 400V Y+N
Secondary Voltage	3 x 230V Δ -- 3x 400V Y+N
Power	20 000 VA
Standards	EN 61558-2-4

## General properties

Applications	For industrial applications	Maximum ambient temperature ta	40 °C
Protection class	Prepared for protection class I	Temperature class transfo	F
Degree of protection	IP00	Finishing	Vacuum- and pressure- varnish impregnated

## Electrical properties

Frequency	50-60 Hz	Efficiency	97,7 %
Po	117 W	Pcu	354 W
Dielectric Strength	4500 Vac	Insulation resistance	200 MΩ
Dielectric strength referred to frame	2500 Vac	Specific property	Windings not connected
Voltage drop (dU%)	1,65 %	Short-circuit voltage (Ucc %)	-
Recommended fuse PRI	D80A ( 3x230V Δ ) D50A/C100A ( 3x400V Y+N )	Recommended fuse SEC	C50A ( 3x230V Δ ) C32A ( 3x400V Y+N )

## Mechanical properties

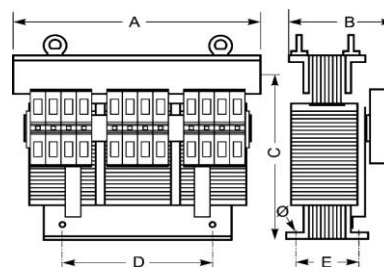
Primary connection	Nut fixing M8
Secondary connection	Nut fixing M8
Fixation	Supports with fixing holes

## Protection case

Housing IP20	K20BTE/050
Housing IP23	K23BTE/050
Housing IP44	K44BTE/050

## Dimensions/weight

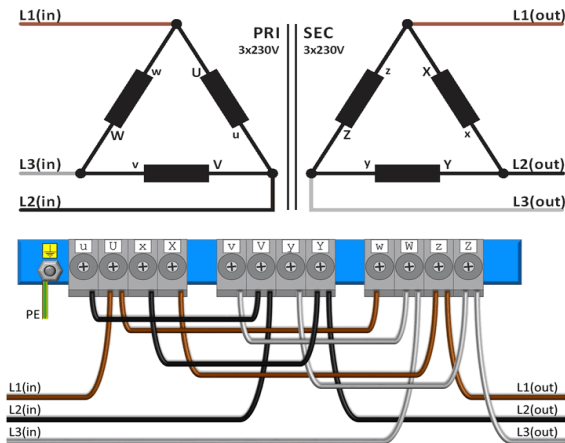
Dimensions AxBxC	480x300x415 mm
Dimension D	320 mm
Dimension E	200 mm
Dimension Φ	11 mm
Weight	130 kg



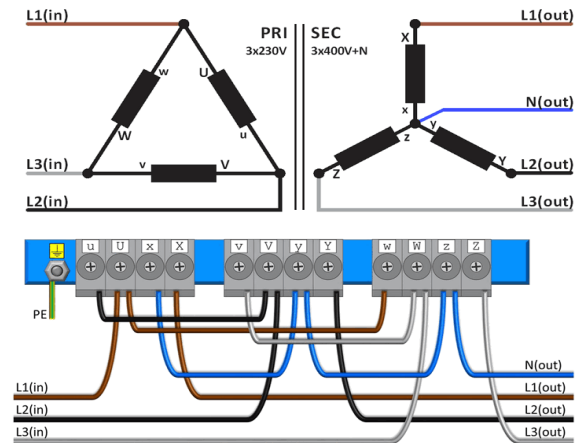


## Connection diagram SPT20000/BTE

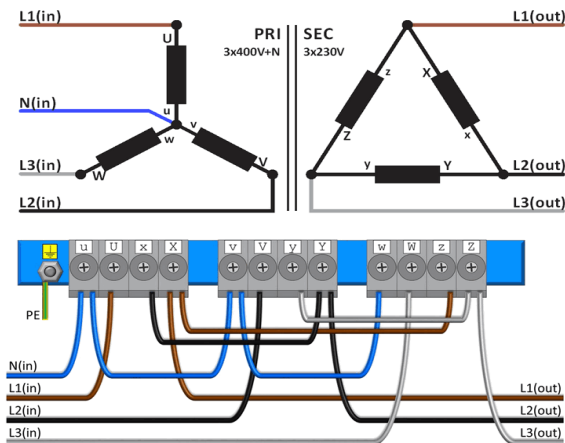
230V  $\Delta$   $\rightarrow$  230V  $\Delta$



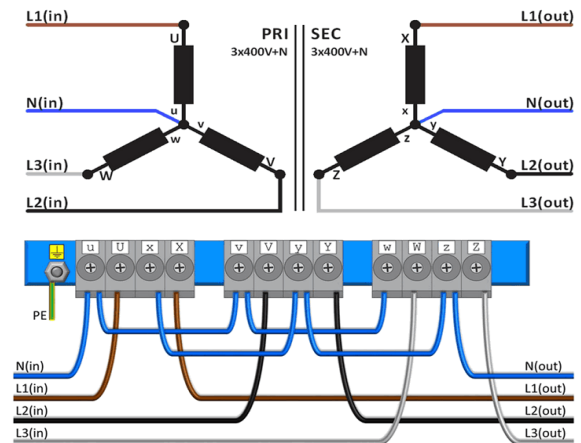
230V  $\Delta$   $\rightarrow$  400V Y+N



400V Y+N  $\rightarrow$  230V  $\Delta$



400V Y+N  $\rightarrow$  400V Y+N





## Accessories SPT20000/BTE

IP20 housing

**K20BTE/050**



IP23 housing

**K23BTE/050**



Vibration damper

(4 pieces needed per transformer)

**Silent block 50**

