



Technical datasheet

SPT20000



Brand	EREA
Article Number	SPT20000
EAN-code Barcode	5414503004697
Code	2708
Product type	Three-phase separating transformer
Primary Voltage	3x 230V Δ -- 3x 400V Y+N
Secondary Voltage	3 x 230V Δ -- 3x 400V Y+N
Power	20 000 VA
Standards	EN 60726 EN 60076

General properties

Applications	For industrial applications	Maximum ambient temperature ta	40 °C
Protection class	Prepared for protection class I	Temperature class transfo	F
Degree of protection	IP00	Finishing	Vacuum- and pressure- varnish impregnated

Electrical properties

Frequency	50-60 Hz	Efficiency	95,7 %
Po	135 W	Pcu	768 W
Dielectric Strength	4500 Vac	Insulation resistance	200 MΩ
Dielectric strength referred to frame	2500 Vac	Specific property	Windings not connected
Voltage drop (dU%)	3,82 %	Short-circuit voltage (Ucc %)	-
Recommended fuse PRI	D80A (3x230V Δ) D50A/C100A (3x400V Y+N)	Recommended fuse SEC	C50A (3x230V Δ) C32A (3x400V Y+N)

Mechanical properties

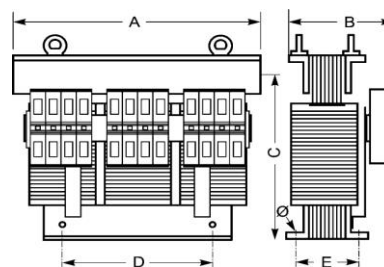
Primary connection	Nut fixing M8
Secondary connection	Nut fixing M8
Fixation	Supports with fixing holes

Protection case

Housing IP20	U 2222720
Housing IP23	K23EI400/006
Housing IP44	K44EI400/020

Dimensions/weight

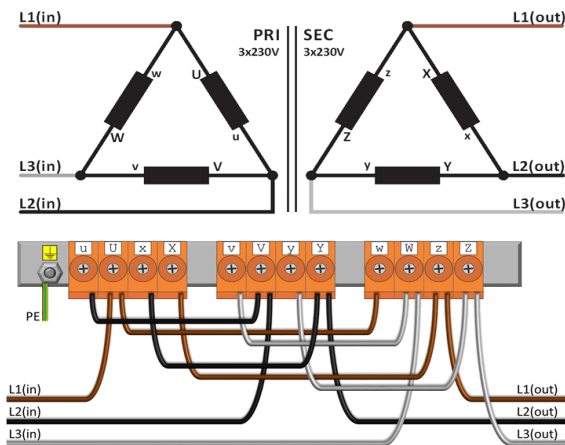
Dimensions AxBxC	480x270x415 mm
Dimension D	320 mm
Dimension E	170 mm
Dimension Φ	11 mm
Weight	95 kg



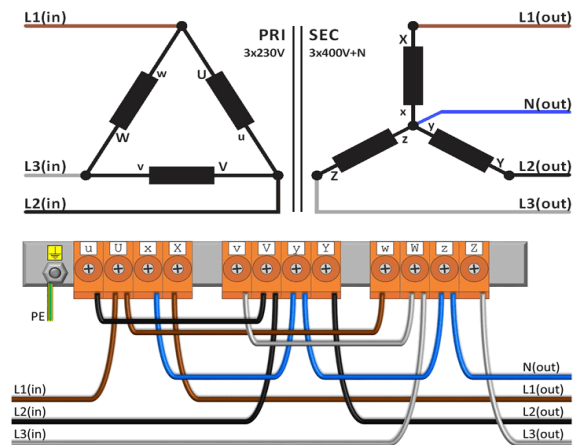


Connection diagram SPT20000

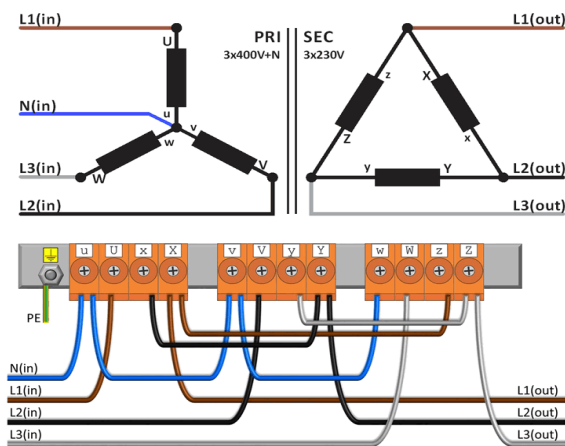
230V Δ → 230V Δ



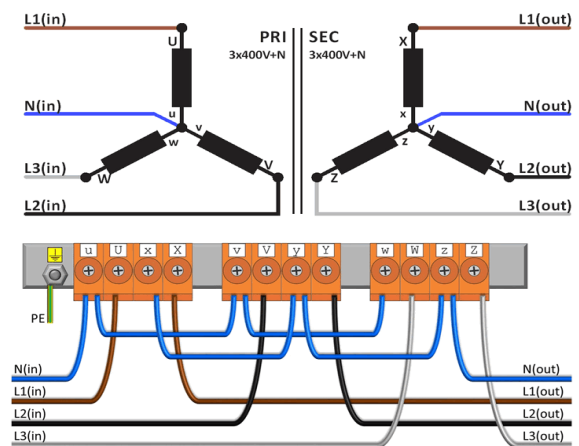
230V Δ → 400V Y+N



400V Y+N → 230V Δ



400V Y+N → 400V Y+N





Accessories SPT20000

IP20 housing



U 2222720

IP23 housing



K23EI400/006

Vibration damper

(4 pieces needed per transformer)



Silent block 50



rev. 13.11.2020