



# Technical datasheet

## SPT1600/BTE



Brand	EREA
Article Number	SPT1600/BTE
EAN-code Barcode	5414503105172
Code	1708
Product type	Three-phase separating transformer
Primary Voltage	3x 230V Δ -- 3x 400V Y+N
Secondary Voltage	3 x 230V Δ -- 3x 400V Y+N
Power	1 600 VA
Standards	EN 61558-2-4

### General properties

Applications	For industrial applications	Maximum ambient temperature ta	40 °C
Protection class	Prepared for protection class I	Temperature class transfo	F
Degree of protection	IP00	Finishing	Vacuum- and pressure- varnish impregnated

### Electrical properties

Frequency	50-60 Hz	Efficiency	95,7 %
Po	26 W	Pcu	46 W
Dielectric Strength	4500 Vac	Insulation resistance	200 MΩ
Dielectric strength referred to frame	2500 Vac	Specific property	Windings not connected
Voltage drop (dU%)	3,2 %	Short-circuit voltage (Ucc %)	-
Recommended fuse PRI	D8A / C16A ( 3x230V Δ ) D6A/C10A ( 3x400V Y+N )	Recommended fuse SEC	C4A ( 3x230V Δ ) C3A ( 3x400V Y+N )

### Mechanical properties

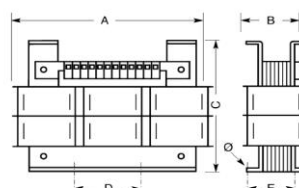
Primary connection	Screw terminals 4 mm <sup>2</sup>
Secondary connection	Screw terminals 4 mm <sup>2</sup>
Fixation	Supports with fixing holes

### Protection case

Housing IP20	K20BTE/010
Housing IP23	K23BTE/010
Housing IP44	K44BTE/020

### Dimensions/weight

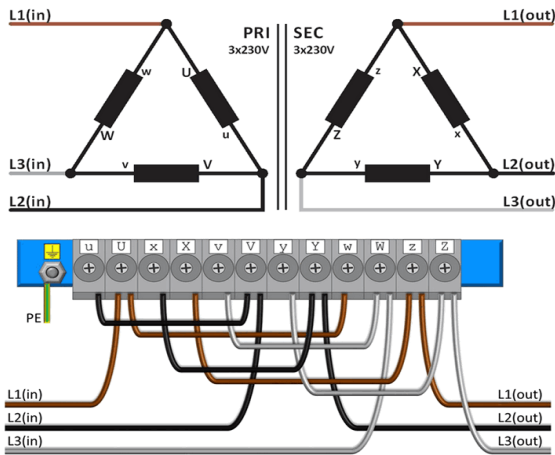
Dimensions AxBxC	225x135x215 mm
Dimension D	87 mm
Dimension E	110 mm
Dimension Φ	10 mm
Weight	19 kg



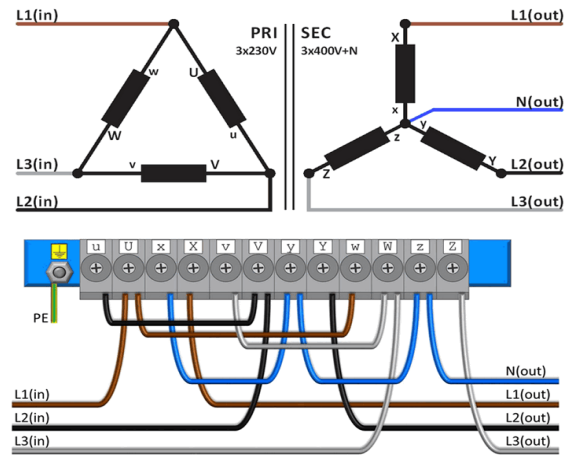


## Connection diagram SPT1600/BTE

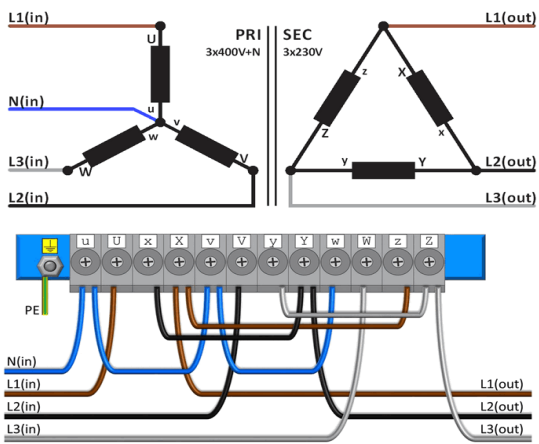
### 230V Δ → 230V Δ



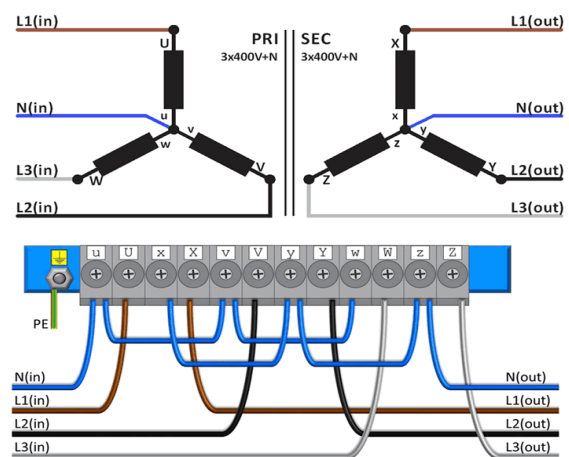
### 230V Δ → 400V Y+N



### 400V Y+N → 230V Δ



### 400V Y+N → 400V Y+N





## Accessories SPT1600/BTE

IP20 housing

**K20BTE/010**



IP23 housing

**K23BTE/010**



Vibration damper

(4 pieces needed per transformer)

**Silent block 50**

