



# Technical datasheet

## SPT16000/BTE



Brand	EREA
Article Number	SPT16000/BTE
EAN-code Barcode	5414503099099
Code	1715
Product type	Three-phase separating transformer
Primary Voltage	3x 230V Δ -- 3x 400V Y+N
Secondary Voltage	3 x 230V Δ -- 3x 400V Y+N
Power	16 000 VA
Standards	EN 61558-2-4

### General properties

Applications	For industrial applications	Maximum ambient temperature ta	40 °C
Protection class	Prepared for protection class I	Temperature class transfo	F
Degree of protection	IP00	Finishing	Vacuum- and pressure- varnish impregnated

### Electrical properties

Frequency	50-60 Hz	Efficiency	97,5 %
Po	102 W	Pcu	313 W
Dielectric Strength	4500 Vac	Insulation resistance	200 MΩ
Dielectric strength referred to frame	2500 Vac	Specific property	Windings not connected
Voltage drop (dU%)	1,82 %	Short-circuit voltage (Ucc %)	-
Recommended fuse PRI	D63A/C125A ( 3x230V Δ ) D40A/C80A ( 3x400V Y+N )	Recommended fuse SEC	C40A ( 3x230V Δ ) C25A ( 3x400V Y+N )

### Mechanical properties

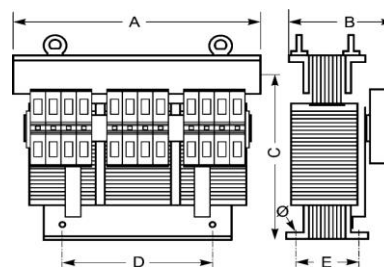
Primary connection	Screw terminals 10 mm <sup>2</sup>
Secondary connection	Screw terminals 10 mm <sup>2</sup>
Fixation	Supports with fixing holes

### Protection case

Housing IP20	K20BTE/040
Housing IP23	K23BTE/045
Housing IP44	K44BTE/040

### Dimensions/weight

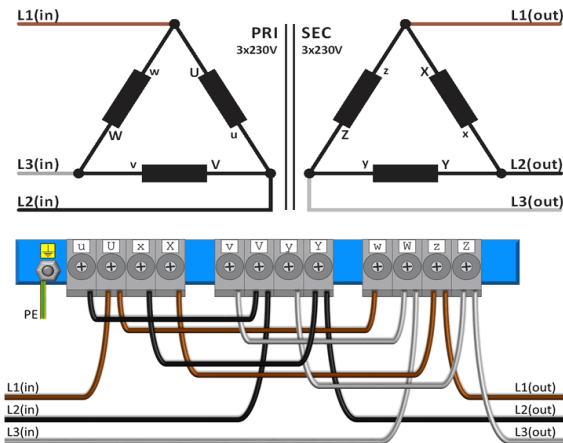
Dimensions AxBxC	480x220x415 mm
Dimension D	320 mm
Dimension E	180 mm
Dimension Φ	11 mm
Weight	110 kg



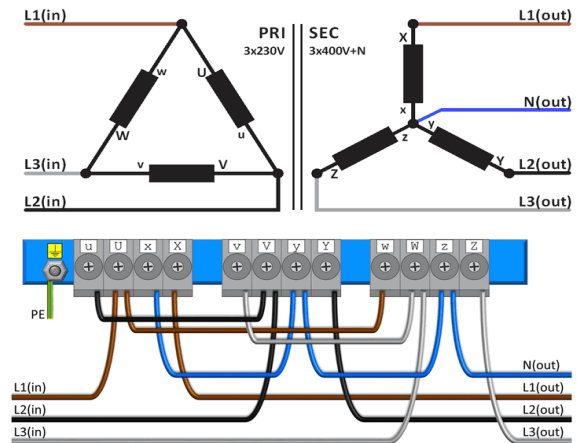


## Connection diagram SPT16000/BTE

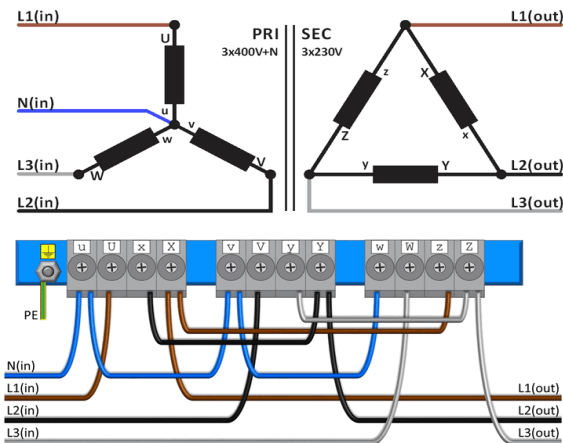
230V Δ → 230V Δ



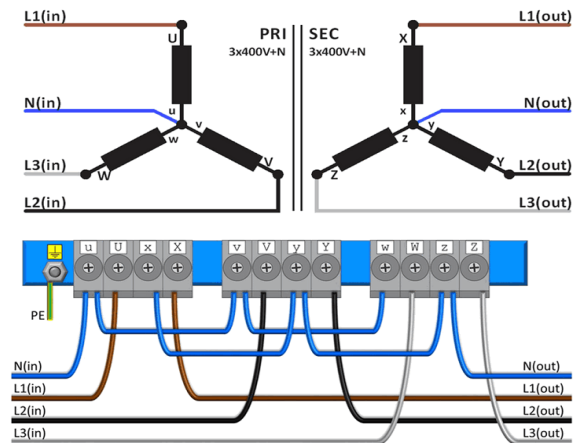
230V Δ → 400V Y+N



400V Y+N → 230V Δ



400V Y+N → 400V Y+N





## Accessories SPT16000/BTE

IP20 housing

**K20BTE/040**



IP23 housing

**K23BTE/045**



Vibration damper

(4 pieces needed per transformer)

**Silent block 50**



Inrush current limiter

(Upri = 230V)

/

Inrush current limiter

(Upri = 400V)

**IRC 230/400V-25A**

