



Technical datasheet

SPT16000



Brand	EREA
Article Number	SPT16000
EAN-code Barcode	5414503004680
Code	2707
Product type	Three-phase separating transformer
Primary Voltage	3x 230V Δ -- 3x 400V Y+N
Secondary Voltage	3 x 230V Δ -- 3x 400V Y+N
Power	16 000 VA
Standards	EN 60726 EN 60076

General properties

Applications	For industrial applications	Maximum ambient temperature ta	40 °C
Protection class	Prepared for protection class I	Temperature class transfo	F
Degree of protection	IP00	Finishing	Vacuum- and pressure- varnish impregnated

Electrical properties

Frequency	50-60 Hz	Efficiency	95,7 %
Po	108 W	Pcu	750 W
Dielectric Strength	4500 Vac	Insulation resistance	200 MΩ
Dielectric strength referred to frame	2500 Vac	Specific property	Windings not connected
Voltage drop (dU%)	4,7 %	Short-circuit voltage (Ucc %)	-
Recommended fuse PRI	D63A/C125A (3x230V Δ) D40A/C80A (3x400V Y+N)	Recommended fuse SEC	C40A (3x230V Δ) C25A (3x400V Y+N)

Mechanical properties

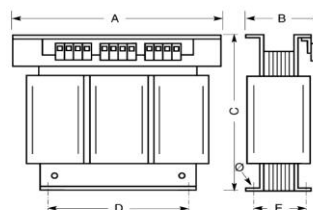
Primary connection	Screw terminals 10 mm ²
Secondary connection	Screw terminals 10 mm ²
Fixation	Supports with fixing holes

Protection case

Housing IP20	U 2222720
Housing IP23	K23EI400/005
Housing IP44	K44EI400/010

Dimensions/weight

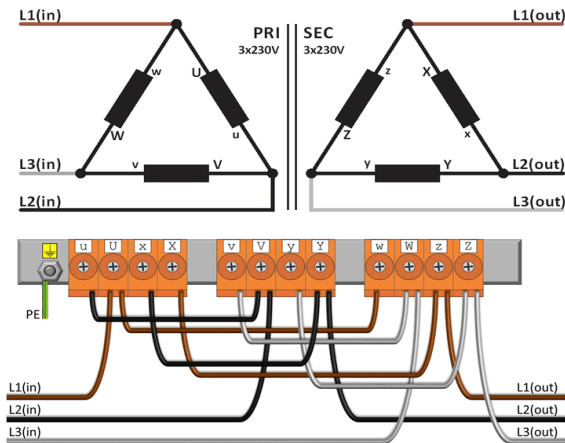
Dimensions AxBxC	480x200x415 mm
Dimension D	320 mm
Dimension E	160 mm
Dimension Φ	11 mm
Weight	85 kg



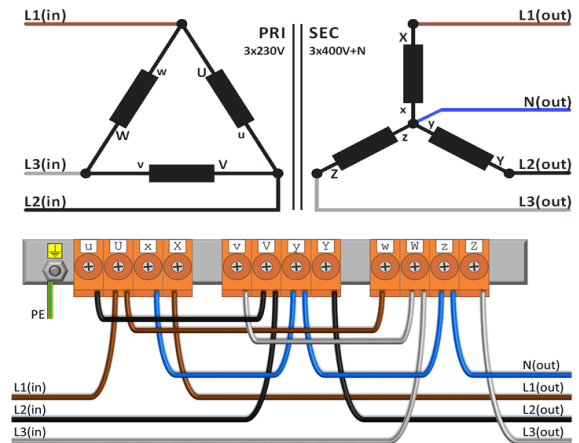


Connection diagram SPT16000

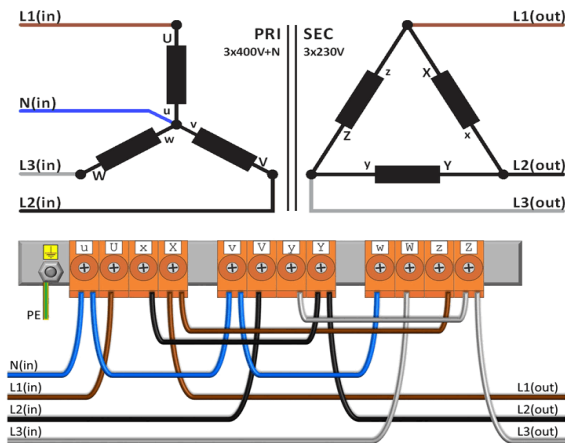
230V Δ → 230V Δ



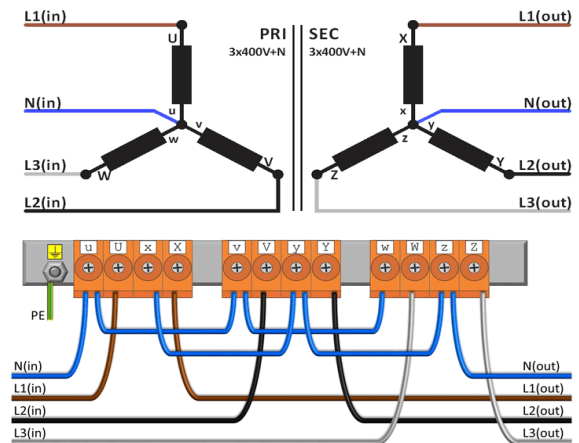
230V Δ → 400V Y+N



400V Y+N → 230V Δ



400V Y+N → 400V Y+N





Accessories SPT16000

IP20 housing



U 2222720

IP23 housing



K23EI400/005

Vibration damper

(4 pieces needed per transformer)



Silent block 50

Inrush current limiter

(Upri = 230V)

/

Inrush current limiter

(Upri = 400V)

IRC 230/400V-25A

