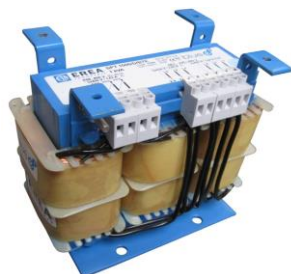




Technical datasheet

SPT1000/D/BTE



Brand	EREA
Article Number	SPT1000/D/BTE
EAN-code Barcode	5414503105288
Code	1765
Product type	Three-phase separating transformer
Primary Voltage	3x 400V Δ
Secondary Voltage	3 x 230V Δ -- 3x 400V Y+N
Power	1 000 VA
Standards	EN 61558-2-4

General properties

Applications	For industrial applications	Maximum ambient temperature ta	40 °C
Protection class	Prepared for protection class I	Temperature class transfo	F
Degree of protection	IP00	Finishing	Vacuum- and pressure- varnish impregnated

Electrical properties

Frequency	50-60 Hz	Efficiency	94,3 %
Po	14 W	Pcu	46 W
Dielectric Strength	4500 Vac	Insulation resistance	200 MΩ
Dielectric strength referred to frame	2500 Vac	Specific property	Primary delta connected, secondary not connected
Voltage drop (dU%)	4,7 %	Short-circuit voltage (Ucc %)	-
Recommended fuse PRI	D3A/C6A (3x400V Δ)	Recommended fuse SEC	C3A (3x230V Δ) C2A (3x400V Y+N)

Mechanical properties

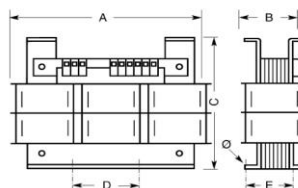
Primary connection	Screw terminals 4 mm ²
Secondary connection	Screw terminals 4 mm ²
Fixation	Supports with fixing holes

Protection case

Housing IP20	K20BTE/005
Housing IP23	K23BTE/005
Housing IP44	K44BTE/020

Dimensions/weight

Dimensions AxBxC	180x110x175 mm
Dimension D	75 mm
Dimension E	90 mm
Dimension Φ	9 mm
Weight	10 kg

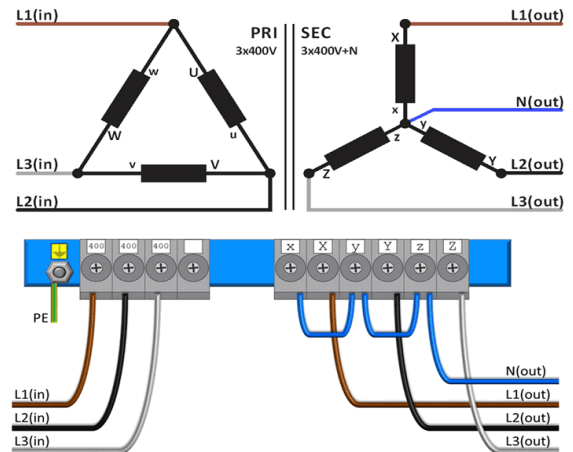
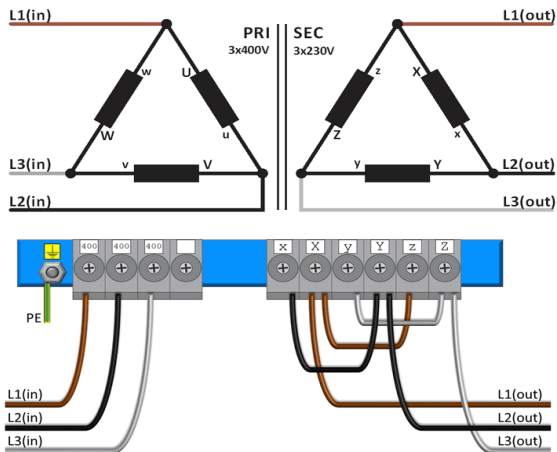




Connection diagram SPT1000/D/BTE

400V Δ \rightarrow 230V Δ

400V Δ \rightarrow 400V Y+N





Accessories SPT1000/D/BTE

IP20 housing

K20BTE/005



IP23 housing

K23BTE/005



Vibration damper

(4 pieces needed per transformer)

Silent block 50



Inrush current limiter

IRC 230/400V-8A



rev. 13.11.2020