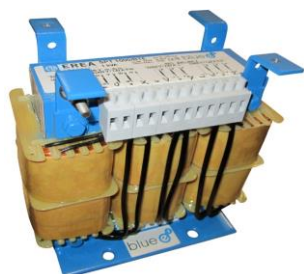




# Technical datasheet SPT1000/BTE



Brand	EREA
Article Number	SPT1000/BTE
EAN-code Barcode	5414503105165
Code	1707
Product type	Three-phase separating transformer
Primary Voltage	3x 230V Δ -- 3x 400V Y+N
Secondary Voltage	3 x 230V Δ -- 3x 400V Y+N
Power	1 000 VA
Standards	EN 61558-2-4

## General properties

Applications	For industrial applications	Maximum ambient temperature ta	40 °C
Protection class	Prepared for protection class I	Temperature class transfo	F
Degree of protection	IP00	Finishing	Vacuum- and pressure- varnish impregnated

## Electrical properties

Frequency	50-60 Hz	Efficiency	94,3 %
Po	14 W	Pcu	46 W
Dielectric Strength	4500 Vac	Insulation resistance	200 MΩ
Dielectric strength referred to frame	2500 Vac	Specific property	Windings not connected
Voltage drop (dU%)	4,7 %	Short-circuit voltage (Ucc %)	-
Recommended fuse PRI	D6A / C10A ( 3x230V Δ ) D3A/C6A ( 3x400V Y+N )	Recommended fuse SEC	C3A ( 3x230V Δ ) C2A ( 3x400V Y+N )

## Mechanical properties

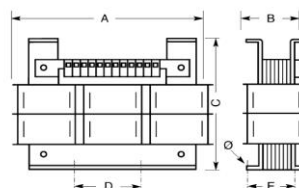
Primary connection	Screw terminals 4 mm <sup>2</sup>
Secondary connection	Screw terminals 4 mm <sup>2</sup>
Fixation	Supports with fixing holes

## Protection case

Housing IP20	K20BTE/005
Housing IP23	K23BTE/005
Housing IP44	K44BTE/020

## Dimensions/weight

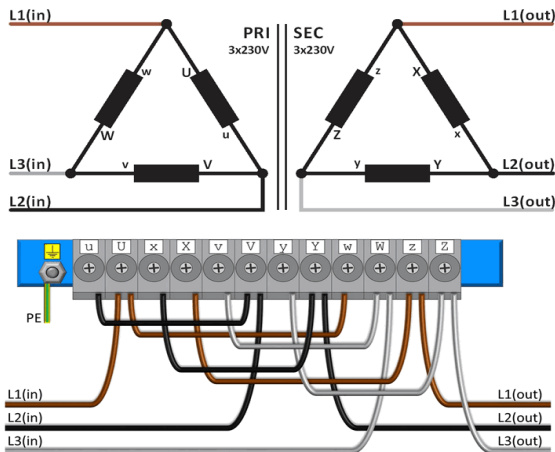
Dimensions AxBxC	180x110x175 mm
Dimension D	75 mm
Dimension E	90 mm
Dimension Φ	9 mm
Weight	10 kg



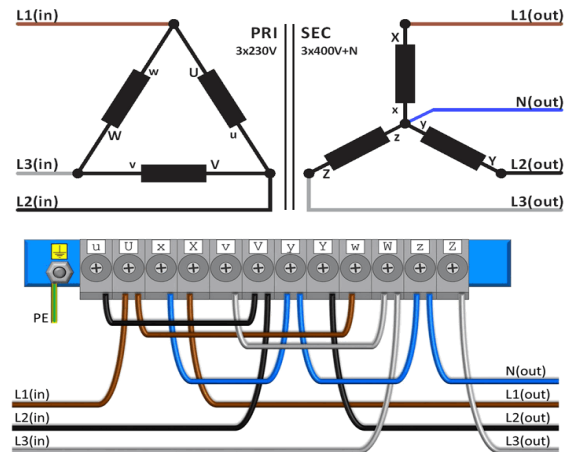


## Connection diagram SPT1000/BTE

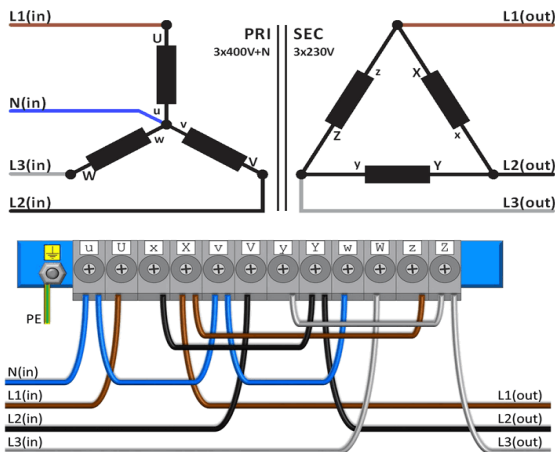
### 230V Δ → 230V Δ



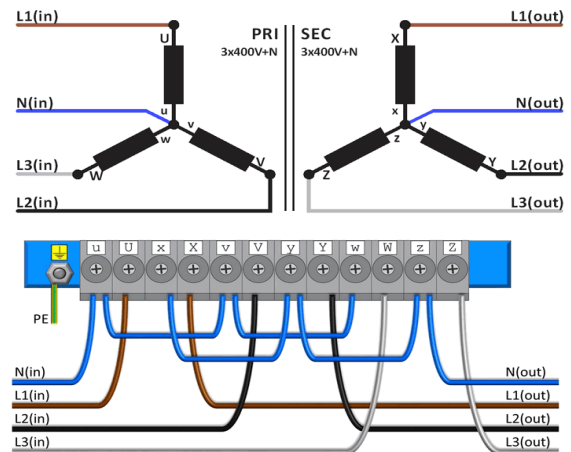
### 230V Δ → 400V Y+N



### 400V Y+N → 230V Δ



### 400V Y+N → 400V Y+N





## Accessories SPT1000/BTE

IP20 housing

**K20BTE/005**



IP23 housing

**K23BTE/005**



Vibration damper

(4 pieces needed per transformer)

**Silent block 50**



Inrush current limiter

**IRC 230/400V-8A**



rev. 13.11.2020