



Technical datasheet

SPT10000/BTE



Brand	EREA
Article Number	SPT10000/BTE
EAN-code Barcode	5414503099181
Code	1713
Product type	Three-phase separating transformer
Primary Voltage	3x 230V Δ -- 3x 400V Y+N
Secondary Voltage	3 x 230V Δ -- 3x 400V Y+N
Power	10 000 VA
Standards	EN 61558-2-4

General properties

Applications	For industrial applications	Maximum ambient temperature ta	40 °C
Protection class	Prepared for protection class I	Temperature class transfo	F
Degree of protection	IP00	Finishing	Vacuum- and pressure- varnish impregnated

Electrical properties

Frequency	50-60 Hz	Efficiency	97,1 %
Po	78 W	Pcu	220 W
Dielectric Strength	4500 Vac	Insulation resistance	200 MΩ
Dielectric strength referred to frame	2500 Vac	Specific property	Windings not connected
Voltage drop (dU%)	2,03 %	Short-circuit voltage (Ucc %)	-
Recommended fuse PRI	D50A / C100A (3x230V Δ) D32A/C63A (3x400V Y+N)	Recommended fuse SEC	C25A (3x230V Δ) C16A (3x400V Y+N)

Mechanical properties

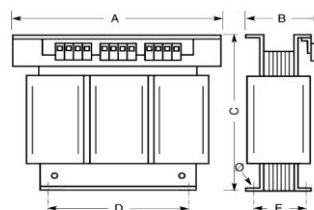
Primary connection	Screw terminals 10 mm ²
Secondary connection	Screw terminals 10 mm ²
Fixation	Supports with fixing holes

Protection case

Housing IP20	K20BTE/040
Housing IP23	K23BTE/040
Housing IP44	K44BTE/040

Dimensions/weight

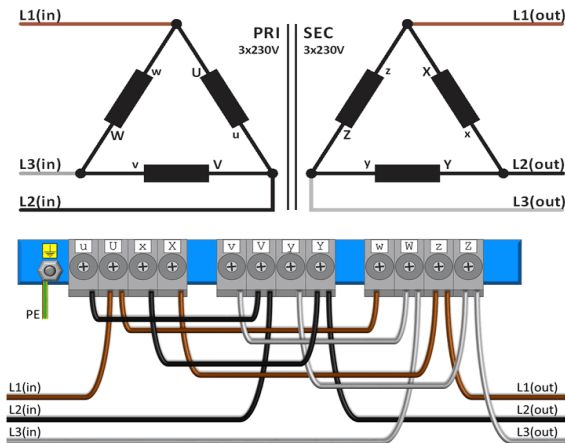
Dimensions AxBxC	480x190x415 mm
Dimension D	320 mm
Dimension E	160 mm
Dimension Φ	11 mm
Weight	84 kg



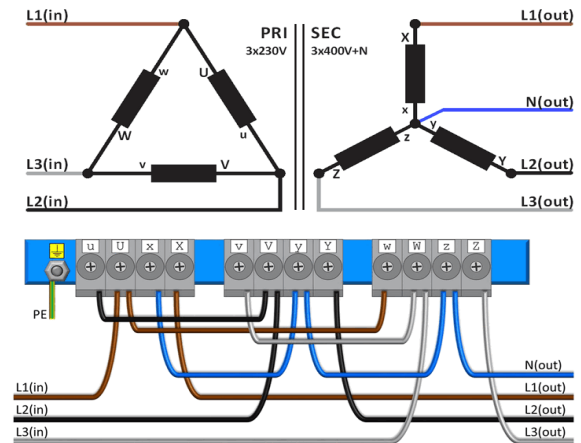


Connection diagram SPT10000/BTE

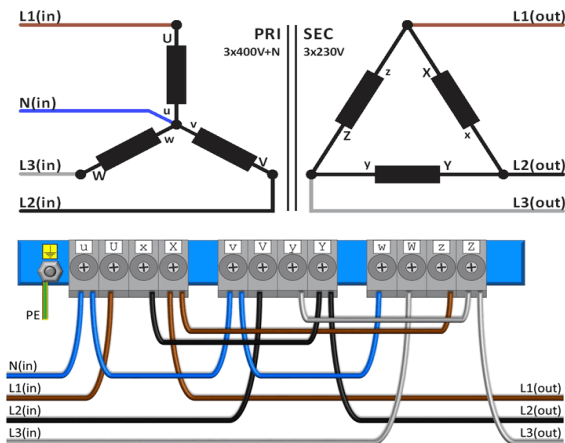
230V Δ \rightarrow 230V Δ



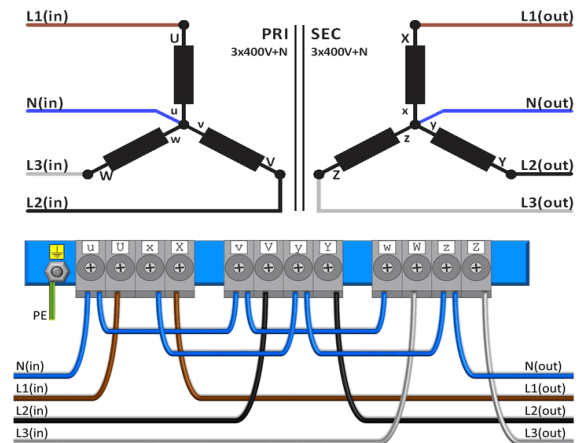
230V Δ \rightarrow 400V Y+N



400V Y+N \rightarrow 230V Δ



400V Y+N \rightarrow 400V Y+N





Accessories SPT10000/BTE

IP20 housing

K20BTE/040



IP23 housing

K23BTE/040



Vibration damper

(4 pieces needed per transformer)

Silent block 50



Inrush current limiter

(Upri = 230V)

IRC 230/400V-25A



Inrush current limiter

(Upri = 400V)

IRC 230/400V-16A

