



Technical datasheet

SPT100000/D



Brand	EREA
Article Number	SPT100000/D
EAN-code Barcode	5414503105271
Code	1744
Product type	Three-phase separating transformer
Primary Voltage	3x 400V Δ
Secondary Voltage	3 x 230V Δ -- 3x 400V Y+N
Power	100 000 VA
Standards	EN 60726 EN 60076

General properties

Applications	For industrial applications	Maximum ambient temperature ta	40 °C
Protection class	Prepared for protection class I	Temperature class transfo	F
Degree of protection	IP00	Finishing	Vacuum- and pressure- varnish impregnated

Electrical properties

Frequency	50-60 Hz	Efficiency	98,3 %
Po	435 W	Pcu	1260 W
Dielectric Strength	4500 Vac	Insulation resistance	200 MΩ
Dielectric strength referred to frame	2500 Vac	Specific property	Primary delta connected, secondary not connected
Voltage drop (dU%)	1,28 %	Short-circuit voltage (Ucc %)	-
Recommended fuse PRI	MCCB250A (3x400V Δ)	Recommended fuse SEC	MCCB250A (3x230V Δ) MCCB160A (3x400V Y+N)

Mechanical properties

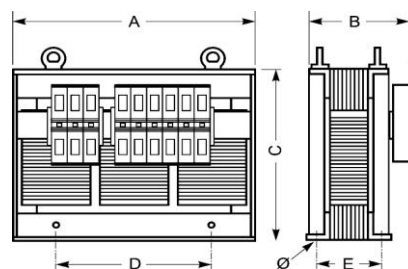
Primary connection	Nut fixing M12
Secondary connection	Nut fixing M12
Fixation	Supports with fixing holes

Protection case

Housing IP20	K20EI500/003
Housing IP23	K23EI500/006
Housing IP44	K44EI500/020

Dimensions/weight

Dimensions AxBxC	640x470x500 mm
Dimension D	400 mm
Dimension E	275 mm
Dimension Φ	11 mm
Weight	380 kg

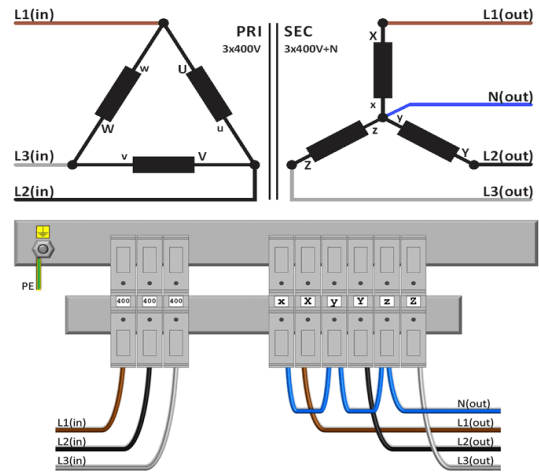
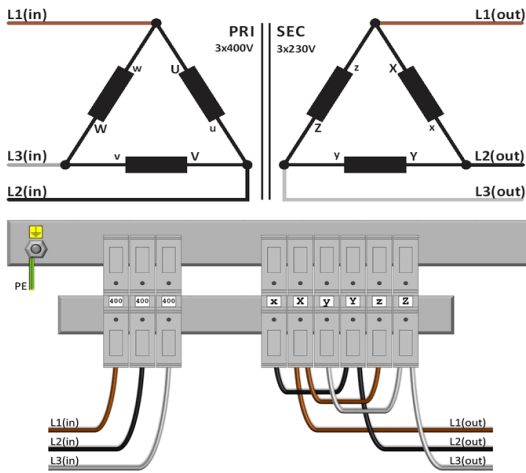




Connection diagram SPT100000/D

400V Δ \rightarrow 230V Δ

400V Δ \rightarrow 400V Y+N





Accessories SPT100000/D

IP20 housing



K20EI500/003

IP23 housing



K23EI500/006

Vibration damper

(4 pieces needed per transformer)



Silent block 120



rev. 13.11.2020