



# Technical datasheet

## SPT10000



Brand	EREA
Article Number	SPT10000
EAN-code Barcode	5414503004666
Code	2705
Product type	Three-phase separating transformer
Primary Voltage	3x 230V Δ -- 3x 400V Y+N
Secondary Voltage	3 x 230V Δ -- 3x 400V Y+N
Power	10 000 VA
Standards	EN 61558-2-4 (EN 60742)

### General properties

Applications	For industrial applications	Maximum ambient temperature ta	40 °C
Protection class	Prepared for protection class I	Temperature class transfo	B
Degree of protection	IP00	Finishing	Vacuum- and pressure- varnish impregnated

### Electrical properties

Frequency	50-60 Hz	Efficiency	96,2 %
Po	92,5 W	Pcu	298 W
Dielectric Strength	4500 Vac	Insulation resistance	200 MΩ
Dielectric strength referred to frame	2500 Vac	Specific property	Windings not connected
Voltage drop (dU%)	3,14 %	Short-circuit voltage (Ucc %)	-
Recommended fuse PRI	D50A / C100A ( 3x230V Δ ) D32A/C63A ( 3x400V Y+N )	Recommended fuse SEC	C25A ( 3x230V Δ ) C16A ( 3x400V Y+N )

### Mechanical properties

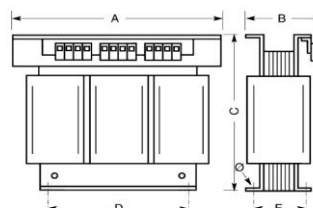
Primary connection	Screw terminals 10 mm <sup>2</sup>
Secondary connection	Screw terminals 10 mm <sup>2</sup>
Fixation	Supports with fixing holes

### Protection case

Housing IP20	U 2222720
Housing IP23	K23EI400/001
Housing IP44	K44EI400/010

### Dimensions/weight

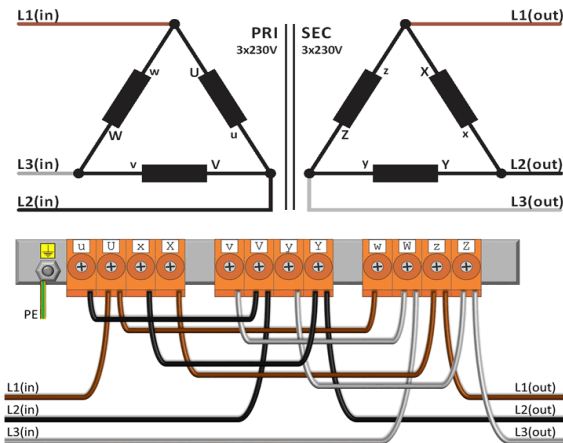
Dimensions AxBxC	480x180x415 mm
Dimension D	320 mm
Dimension E	150 mm
Dimension Φ	11 mm
Weight	70 kg



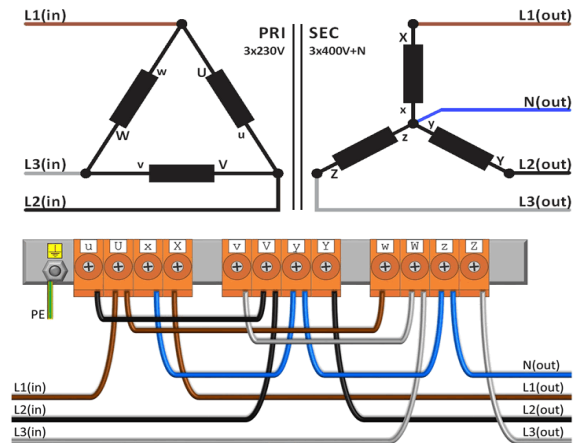


## Connection diagram SPT10000

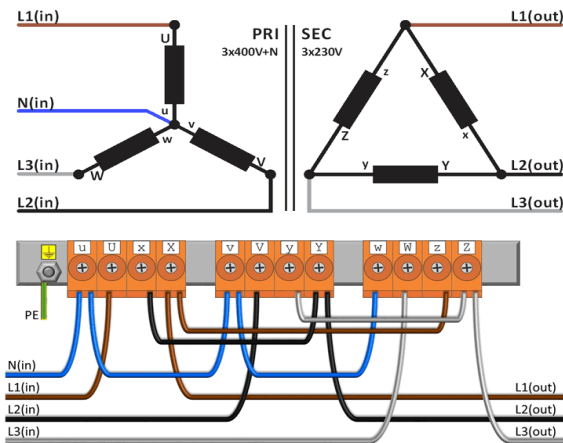
### 230V Δ → 230V Δ



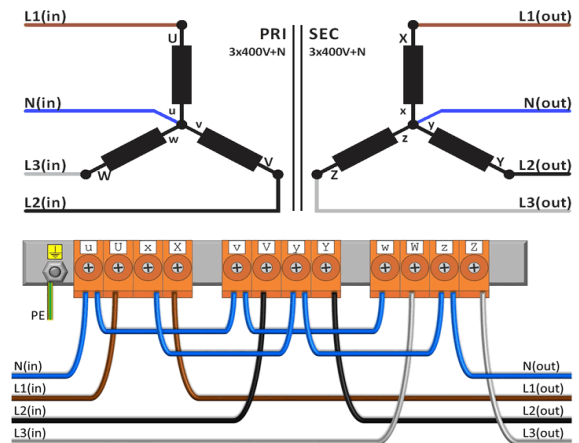
### 230V Δ → 400V Y+N



### 400V Y+N → 230V Δ



### 400V Y+N → 400V Y+N





## Accessories SPT10000

IP20 housing



**U 2222720**

IP23 housing



**K23EI400/001**

Vibration damper

(4 pieces needed per transformer)



**Silent block 20**

Inrush current limiter

(Upri = 230V)



**IRC 230/400V-25A**

Inrush current limiter

(Upri = 400V)



**IRC 230/400V-16A**

