



# Technical datasheet

## SPT1000



Brand	EREA
Article Number	SPT1000
EAN-code Barcode	5414503004659
Code	2704
Product type	Three-phase isolating transformer
Primary Voltage	3x 230V Δ -- 3x 400V Y+N
Secondary Voltage	3 x 230V Δ -- 3x 400V Y+N
Power	1 000 VA
Standards	EN 61558-2-4 (EN 60742)

### General properties

Applications	For industrial applications	Maximum ambient temperature ta	40 °C
Protection class	Prepared for protection class I	Temperature class transfo	B
Degree of protection	IP00	Finishing	Vacuum- and pressure- varnish impregnated

### Electrical properties

Frequency	50-60 Hz	Efficiency	93 %
Po	22,5 W	Pcu	47 W
Dielectric Strength	4500 Vac	Insulation resistance	200 MΩ
Dielectric strength referred to frame	2500 Vac	Specific property	Windings not connected
Voltage drop (dU%)	4,7 %	Short-circuit voltage (Ucc %)	-
Recommended fuse PRI	D6A / C10A (3x230V Δ) D3A / C6A (3x400V Y+N)	Recommended fuse SEC	C3A (3x230V Δ) C2A (3x400V Y+N)

### Mechanical properties

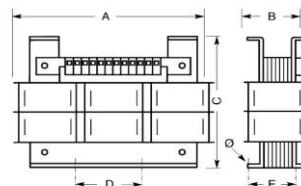
Primary connection	Screw terminals 2,5 mm <sup>2</sup>
Secondary connection	Screw terminals 2,5 mm <sup>2</sup>
Fixation	Supports with fixing holes

### Protection case

Housing IP20	K20EI150
Housing IP23	K23EI150/001
Housing IP44	K44EI220/010

### Dimensions/weight

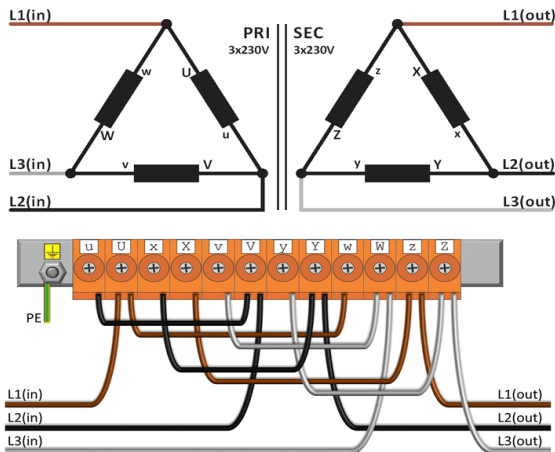
Dimensions AxBxC	180x110x175 mm
Dimension D	75 mm
Dimension E	90 mm
Dimension Φ	9 mm
Weight	10 kg



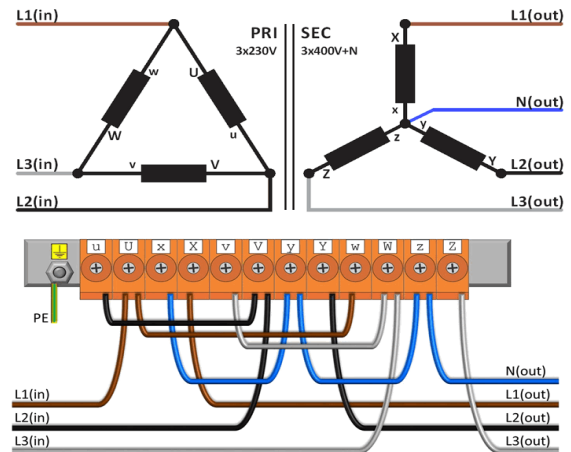


## Connection diagram SPT1000

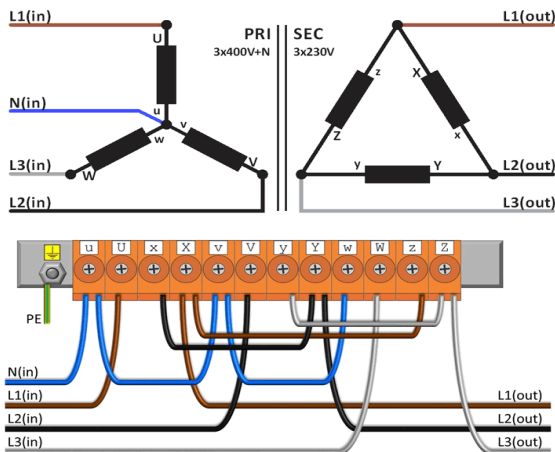
### 230V Δ → 230V Δ



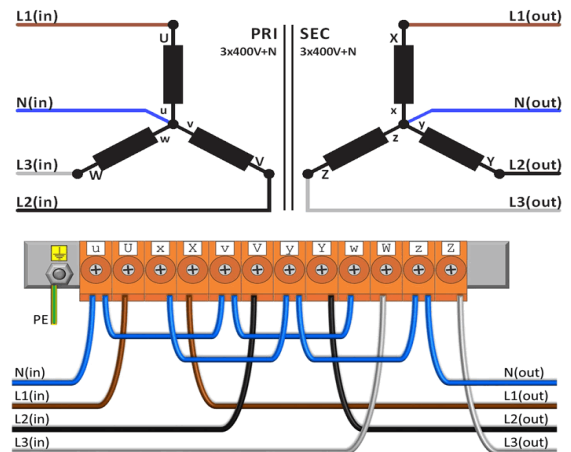
### 230V Δ → 400V Y+N



### 400V Y+N → 230V Δ



### 400V Y+N → 400V Y+N





## Accessories SPT1000

IP20 housing

**K20EI150**



IP23 housing

**K23EI150/001**



Vibration damper

(4 pieces needed per transformer)

**Silent block 20**



Inrush current limiter

**IRC 230/400V-8A**



rev. 13.11.2020