



# Technical datasheet PVT6000/IRC



Brand	EREA
Article Number	PVT6000/IRC
EAN-code Barcode	5414503118462
Code	11846
Product type	Three-phase transformer - Low inrush current
Primary Voltage	3x 230V Δ -- 3x 400V Y+N
Secondary Voltage	3x 400V Y+N
Power	6 000 VA
Standards	EN 61558-2-4

## General properties

Applications	For PV installations	Maximum ambient temperature ta	40 °C
Protection class	Prepared for protection class I	Temperature class transfo	B
Degree of protection	IP00	Finishing	Vacuum- and pressure- varnish impregnated

## Electrical properties

Frequency	50-60 Hz	Efficiency	97,2 %
Po	30 W	Pcu	140 W
Dielectric Strength	4500 Vac	Insulation resistance	200 MΩ
Dielectric strength referred to frame	2500 Vac	Specific property	Primary not connected, secondary star connected
Voltage drop (dU%)	2,1 %	Short-circuit voltage (Ucc %)	-
Recommended fuse PRI	C16A ( 3x230V Δ ) C10A ( 3x400V Y+N )	Recommended fuse SEC	C10A ( 3x400V Y+N )

## Mechanical properties

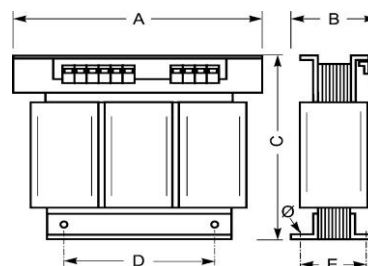
Primary connection	Screw terminals 4 mm <sup>2</sup>
Secondary connection	Screw terminals 4 mm <sup>2</sup>
Fixation	Supports with fixing holes

## Protection case

Housing IP20	K20PVT/006
Housing IP23	K23PVT/006
Housing IP44	K44EI400/010

## Dimensions/weight

Dimensions AxBxC	420x210x365 mm
Dimension D	280 mm
Dimension E	163 mm
Dimension Φ	11 mm
Weight	85 kg

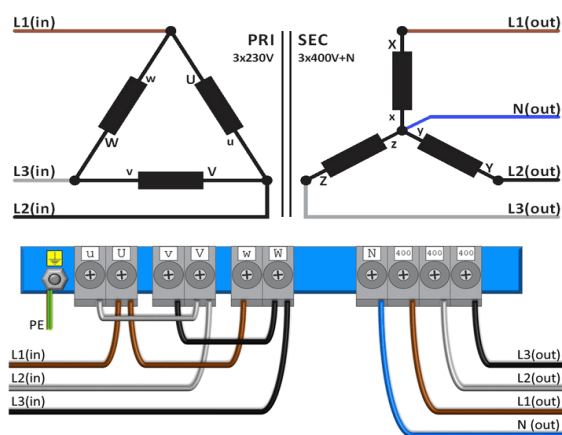
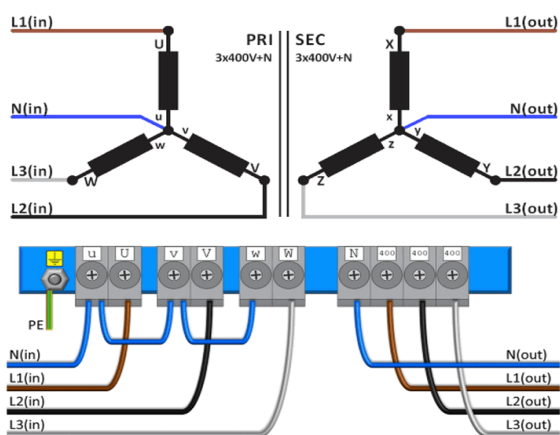




## Connection diagram PVT6000/IRC

400V Y+N → 400V Y+N

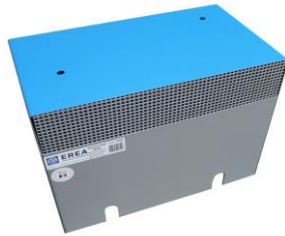
230V Δ → 400V Y+N





## Accessories PVT6000/IRC

IP20 housing



**K20PVT/006**

IP23 housing



**K23PVT/006**

Vibration damper

(4 pieces needed per transformer)



**Silent block 50**



rev. 30.11.2020