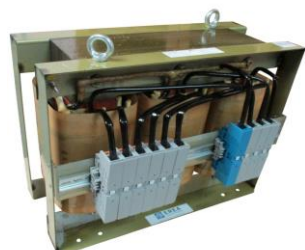




Technical datasheet PVT40000/IRC



Brand	EREA
Article Number	PVT40000/IRC
EAN-code Barcode	5414503118523
Code	11852
Product type	Three-phase transformer - Low inrush current
Primary Voltage	3x 230V Δ -- 3x 400V Y+N
Secondary Voltage	3x 400V Y+N
Power	40 000 VA
Standards	EN 61558-2-4

General properties

Applications	For PV installations	Maximum ambient temperature ta	40 °C
Protection class	Prepared for protection class I	Temperature class transfo	B
Degree of protection	IP00	Finishing	Vacuum- and pressure- varnish impregnated

Electrical properties

Frequency	50-60 Hz	Efficiency	97,9 %
Po	110 W	Pcu	730 W
Dielectric Strength	4500 Vac	Insulation resistance	200 MΩ
Dielectric strength referred to frame	2500 Vac	Specific property	Primary not connected, secondary star connected
Voltage drop (dU%)	1,8 %	Short-circuit voltage (Ucc %)	-
Recommended fuse PRI	C100A (3x230V Δ) C63A (3x400V Y+N)	Recommended fuse SEC	C63A (3x400V Y+N)

Mechanical properties

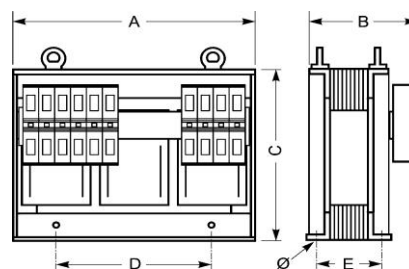
Primary connection	Nut fixing M8
Secondary connection	Nut fixing M8
Fixation	Supports with fixing holes

Protection case

Housing IP20	K20PVT/040
Housing IP23	K23PVT/040
Housing IP44	K44EI500/020

Dimensions/weight

Dimensions AxBxC	640x430x500 mm
Dimension D	400 mm
Dimension E	245 mm
Dimension Φ	11 mm
Weight	320 kg

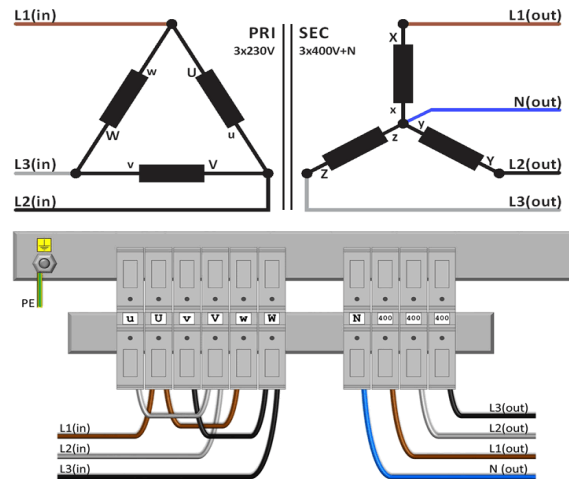
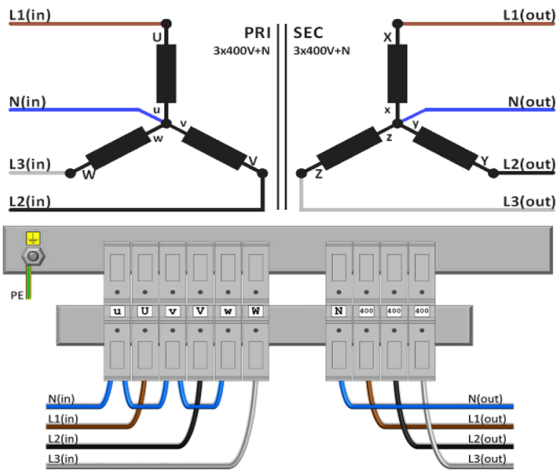




Connection diagram PVT40000/IRC

400V Y+N → 400V Y+N

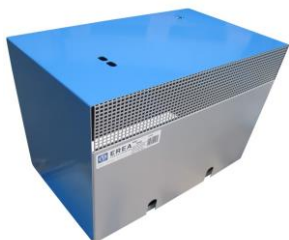
230V Δ → 400V Y+N





Accessories PVT40000/IRC

IP20 housing



K20PVT/040

IP23 housing



K23PVT/040

Vibration damper

(4 pieces needed per transformer)



Silent block 120

