



Technical datasheet PVT30000/IRC



Brand	EREA
Article Number	PVT30000/IRC
EAN-code Barcode	5414503121677
Code	12167
Product type	Three-phase transformer - Low inrush current
Primary Voltage	3x 230V Δ -- 3x 400V Y+N
Secondary Voltage	3x 400V Y+N
Power	30 000 VA
Standards	EN 61558-2-4

General properties

Applications	For PV installations	Maximum ambient temperature ta	40 °C
Protection class	Prepared for protection class I	Temperature class transfo	B
Degree of protection	IP00	Finishing	Vacuum- and pressure- varnish impregnated

Electrical properties

Frequency	50-60 Hz	Efficiency	97,7%
Po	87 W	Pcu	616 W
Dielectric Strength	4500 Vac	Insulation resistance	200 MΩ
Dielectric strength referred to frame	2500 Vac	Specific property	Primary not connected, secondary star connected
Voltage drop (dU%)	0,021	Short-circuit voltage (Ucc %)	-
Recommended fuse PRI	C100A (3x230V Δ) C50A (3x400V Y+N)	Recommended fuse SEC	C63A (3x400V Y+N)

Mechanical properties

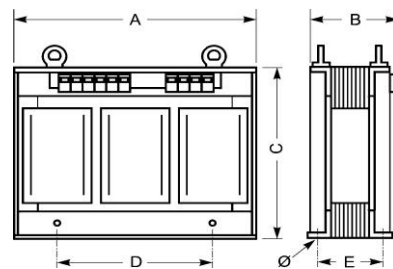
Primary connection	Nut fixing M8
Secondary connection	Nut fixing M8
Fixation	Supports with fixing holes

Protection case

Housing IP20	K20PVT/030
Housing IP23	K23PVT/030
Housing IP44	K44EI500/010

Dimensions/weight

Dimensions AxBxC	640x390x500 mm
Dimension D	400 mm
Dimension E	210 mm
Dimension Φ	11 mm
Weight	250 kg

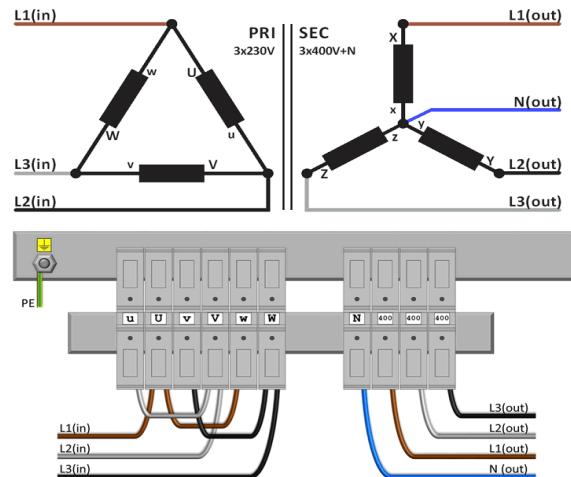
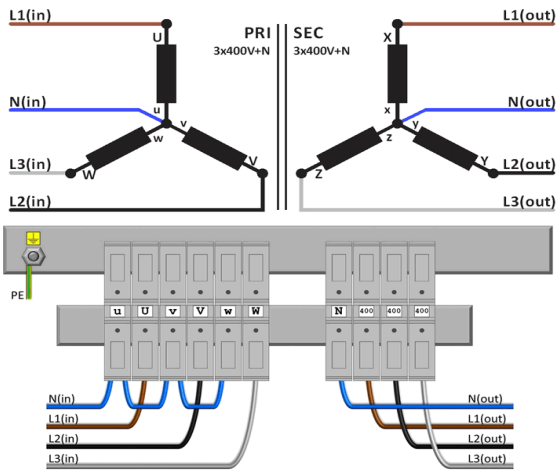




Connection diagram PVT30000/IRC

400V Y+N → 400V Y+N

230V Δ → 400V Y+N





Accessories PVT30000/IRC

IP20 housing

K20PVT/030

IP23 housing

K23PVT/030

Vibration damper

(4 pieces needed per transformer)

Silent block 75



rev. 18.11.2020