

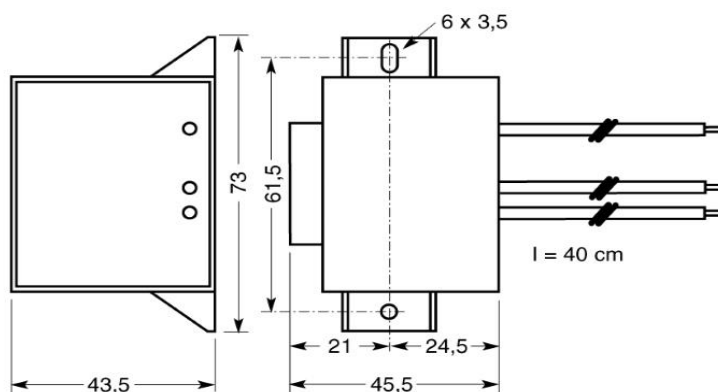


# Technical datasheet IRC 230/400V-8A

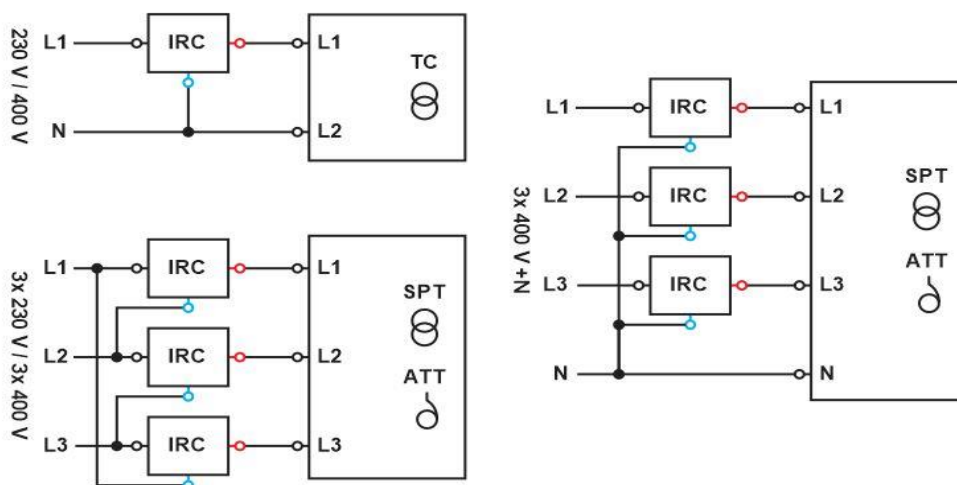


Brand	EREA
Article Number	IRC 230/400V-8A
EAN-code Barcode	5414503004468
Code	2031
Product type	Inrush current limiter

## Dimensions



## Connection diagram



rev. 03.12.2020