



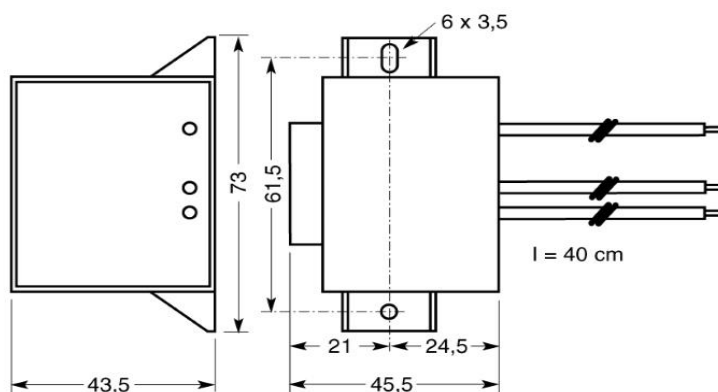
Technical datasheet

IRC 230/400V-16A

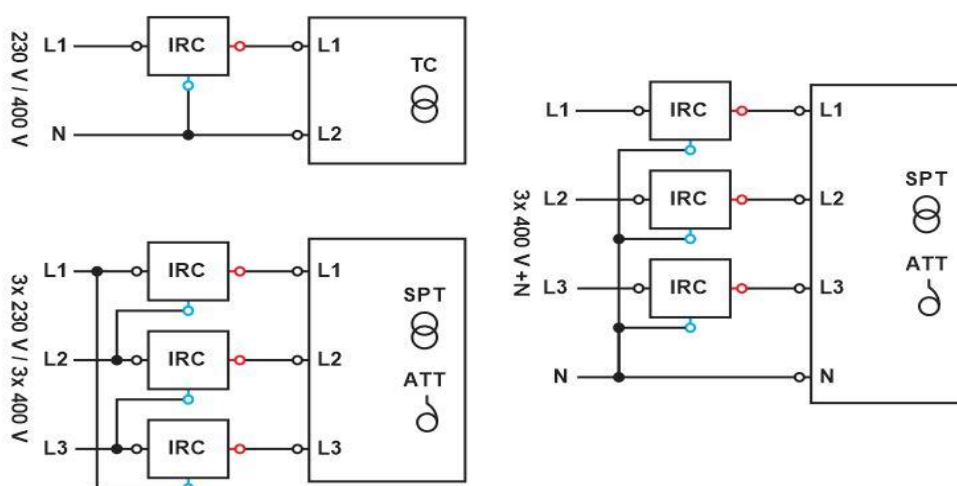


Brand	EREA
Article Number	IRC 230/400V-16A
EAN-code Barcode	5414503004444
Code	2032
Product type	Inrush current limiter

Dimensions



Connection diagram



rev. 03.12.2020