



Technical datasheet ECT44000/D/IRC



Brand	EREA
Article Number	ECT44000/D/IRC
EAN-code Barcode	5414503123527
Code	12352
Product type	Three-phase transformer - Low inrush current
Primary Voltage	3x 400V Δ
Secondary Voltage	3x 400V Y+N
Power	44 000 VA
Standards	EN 61558-2-4

General properties

Applications	For electric charging stations	Maximum ambient temperature ta	40 °C
Protection class	Prepared for protection class I	Temperature class transfo	B
Degree of protection	IP00	Finishing	Vacuum- and pressure- varnish impregnated

Electrical properties

Frequency	50-60 Hz	Efficiency	97,8 %
Po	114 W	Pcu	858 W
Dielectric Strength	4500 Vac	Insulation resistance	200 MΩ
Dielectric strength referred to frame	2500 Vac	Specific property	Primary delta connected, secondary star connected
Voltage drop (dU%)	1,96 %	Short-circuit voltage (Ucc %)	-
Recommended fuse PRI	C63A (3x400V Δ)	Recommended fuse SEC	C63A (3x400V Y+N)

Mechanical properties

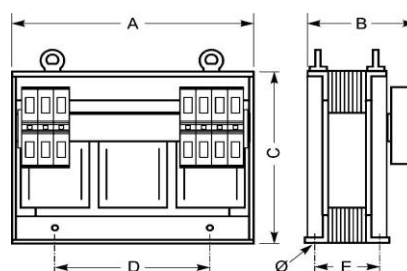
Primary connection	Nut fixing M8
Secondary connection	Nut fixing M8
Fixation	Supports with fixing holes

Protection case

Housing IP20	K20ECT/060
Housing IP23	K23ECT/060
Housing IP44	K44EI500/010

Dimensions/weight

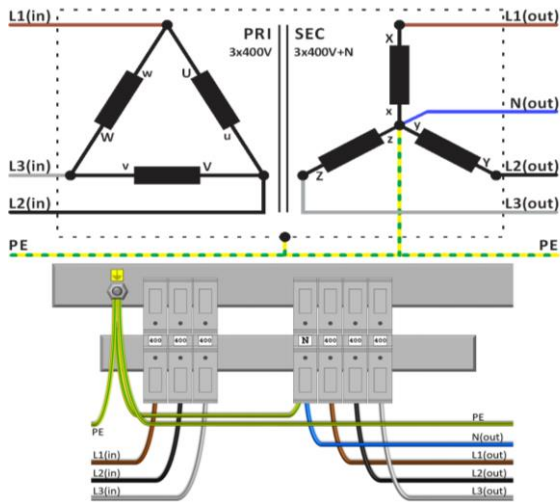
Dimensions AxBxC	640x390x500 mm
Dimension D	400 mm
Dimension E	245 mm
Dimension Φ	11 mm
Weight	314 kg





Connection diagram ECT44000/D/IRC

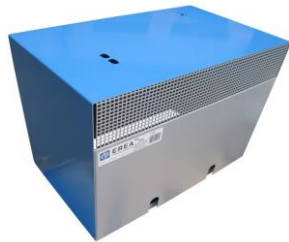
3x 400V Δ → 3x 400V Y+N





Accessories ECT44000/D/IRC

IP20 housing



K20ECT/060

IP23 housing



K23ECT/060

Vibration damper

(4 pieces needed per transformer)



Silent block 75

