



Technical datasheet

E 212TR16



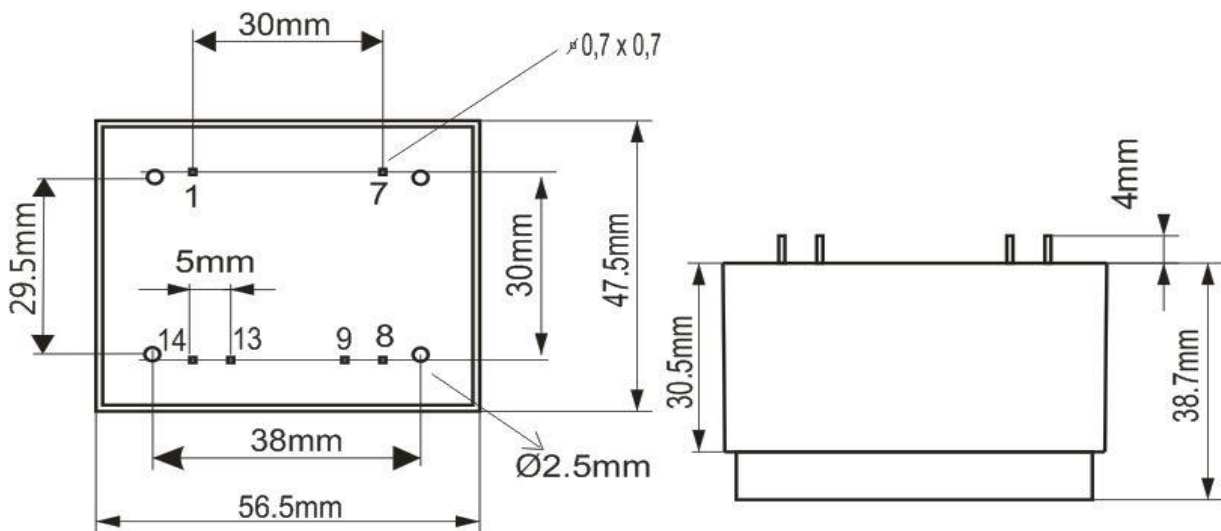
| | |
|-------------------|---------------------------------|
| Brand | EREA |
| Article Number | E 212TR16 |
| EAN-code Barcode | 5414503002303 |
| Code | 2603 |
| Product type | Single-phase safety transformer |
| Primary Voltage | 230V AC |
| Secondary Voltage | 2 x 12V AC |
| Power | 16 VA |
| Standards | EN 61558-2-6 EN 60742 |

General properties

| | | | |
|----------------------|-----------------------------|--------------------------------|--|
| Applications | Fitting to printed circuits | Maximum ambient temperature ta | 40 °C |
| Protection class | II | Temperature class transfo | E |
| Degree of protection | IP00 | Finishing | Vacuum-encapsulated with synthetic resin |

Electrical properties

| | | | |
|---------------------|----------|-----------------------|--------|
| Frequency | 50-60 Hz | Efficiency | 78,3 % |
| Po | 1,59 W | Pcu | 3,3 W |
| Dielectric Strength | 4000 Vac | Insulation resistance | 200 MΩ |



rev. 02.12.2020