



# Technical datasheet E 16TR25



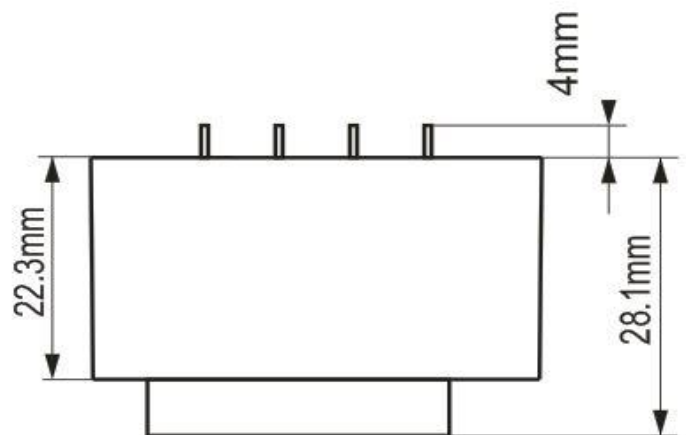
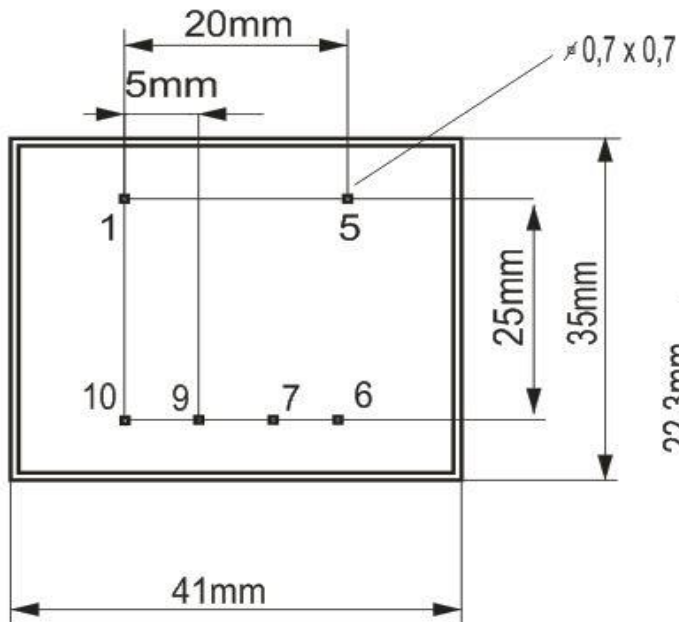
Brand	EREA
Article Number	E 16TR25
EAN-code Barcode	5414503006295
Code	2014
Product type	Single-phase safety transformer
Primary Voltage	230V AC
Secondary Voltage	2x 0-6-8V AC
Power	25 VA
Standards	EN 61558-2-6 EN 60742

## General properties

Applications	Fitting to printed circuits	Maximum ambient temperature $t_a$	40 °C
Protection class	II	Temperature class transfo	E
Degree of protection	IP00	Finishing	Vacuum-encapsulated with synthetic resin

## Electrical properties

Frequency	50-60 Hz	Efficiency	80,1 %
Po	2,63 W	Pcu	4,16 W
Dielectric Strength	4000 Vac	Insulation resistance	200 MΩ



rev. 02.12.2020