



Technical datasheet

E 16TR10



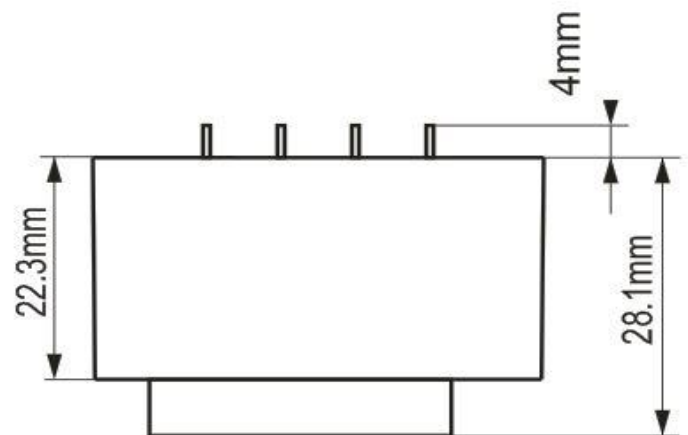
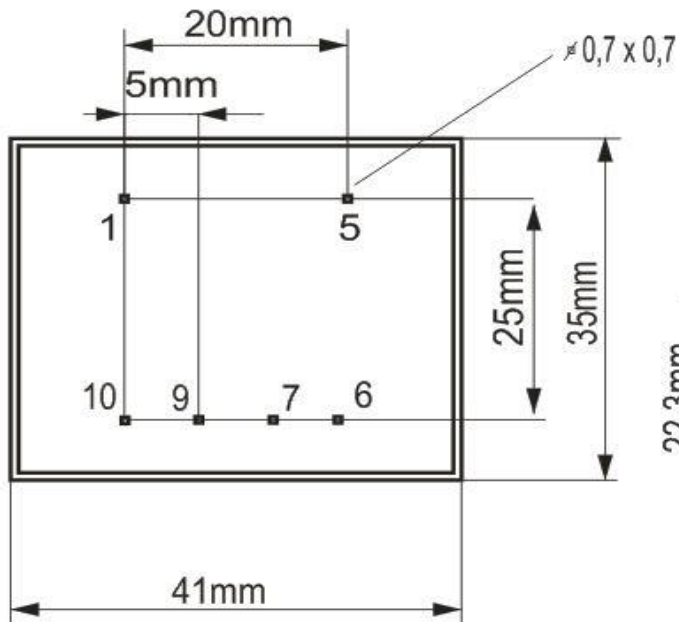
Brand	EREA
Article Number	E 16TR10
EAN-code Barcode	5414503006264
Code	2009
Product type	Single-phase safety transformer
Primary Voltage	230V AC
Secondary Voltage	2x 0-6-8V AC
Power	10 VA
Standards	EN 61558-2-6 EN 60742

General properties

Applications	Fitting to printed circuits	Maximum ambient temperature t_a	40 °C
Protection class	II	Temperature class transfo	E
Degree of protection	IP00	Finishing	Vacuum-encapsulated with synthetic resin

Electrical properties

Frequency	50-60 Hz	Efficiency	76,33 %
Po	1,19 W	Pcu	2,22 W
Dielectric Strength	4000 Vac	Insulation resistance	200 MΩ



rev. 02.12.2020