



# Technical datasheet

## E 124TR10



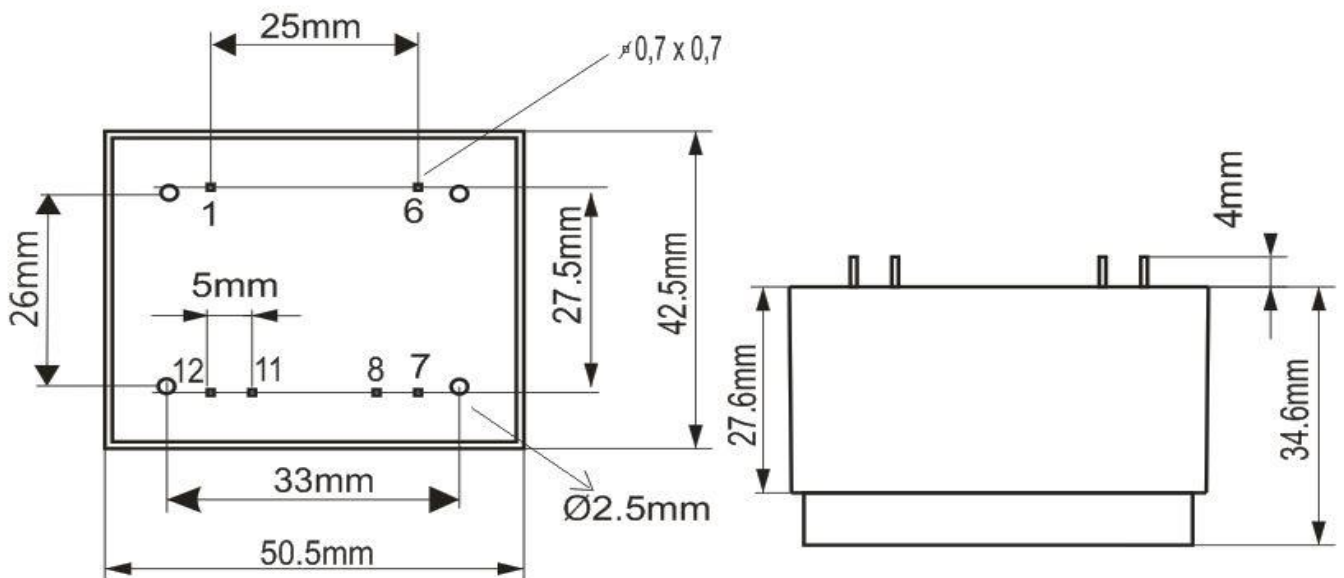
|                   |                                 |
|-------------------|---------------------------------|
| Brand             | EREA                            |
| Article Number    | E 124TR10                       |
| EAN-code Barcode  | 5414503001276                   |
| Code              | 2574                            |
| Product type      | Single-phase safety transformer |
| Primary Voltage   | 230V AC                         |
| Secondary Voltage | 24V AC                          |
| Power             | 10 VA                           |
| Standards         | EN 61558-2-6 EN 60742           |

### General properties

|                      |                             |                                |  |
|----------------------|-----------------------------|--------------------------------|--|
| Applications         | Fitting to printed circuits | Maximum ambient temperature ta | 40 °C                                    |
| Protection class     | II                          | Temperature class transfo      | E  |
| Degree of protection | IP00                        | Finishing                      | Vacuum-encapsulated with synthetic resin |

### Electrical properties

|                     |          |                       |         |
|---------------------|----------|-----------------------|---------|
| Frequency           | 50-60 Hz | Efficiency            | 75,29 % |
| Po                  | 1,1 W    | Pcu                   | 2,54 W  |
| Dielectric Strength | 4000 Vac | Insulation resistance | 200 MΩ  |



rev. 02.12.2020