



Technical datasheet

E 112TRO



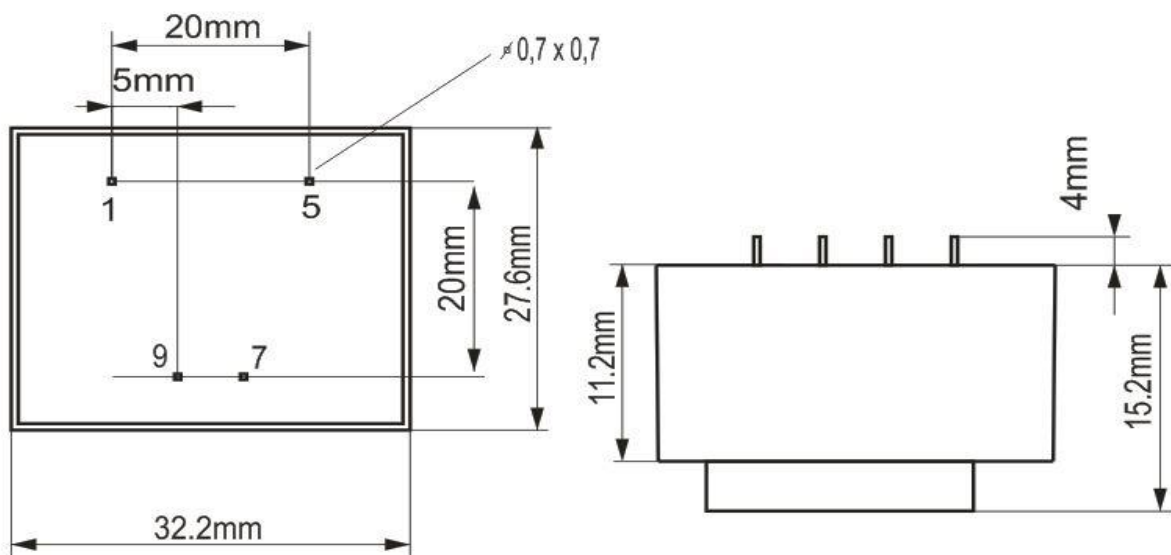
| | |
|-------------------|---------------------------------|
| Brand | EREA |
| Article Number | E 112TRO |
| EAN-code Barcode | 5414503000774 |
| Code | 2546 |
| Product type | Single-phase safety transformer |
| Primary Voltage | 230V AC |
| Secondary Voltage | 12V AC |
| Power | 1 VA |
| Standards | EN 61558-2-6 EN 60742 |

General properties

| | | | |
|----------------------|-----------------------------|--------------------------------|--|
| Applications | Fitting to printed circuits | Maximum ambient temperature ta | 40 °C |
| Protection class | II | Temperature class transfo | E |
| Degree of protection | IP00 | Finishing | Vacuum-encapsulated with synthetic resin |

Electrical properties

| | | | |
|---------------------|----------|-----------------------|---------|
| Frequency | 50-60 Hz | Efficiency | 46,39 % |
| Po | 0,38 W | Pcu | 0,56 W |
| Dielectric Strength | 4000 Vac | Insulation resistance | 200 MΩ |



rev. 02.12.2020