



Technical datasheet

ATT 6800



Brand	EREA
Article Number	ATT 6800
EAN-code Barcode	5414503000392
Code	2519
Product type	Three-phase autotransformer
Primary Voltage	3x 0-230-400V Y+N
Secondary Voltage	3 x 0-230-400V AC
Power	6 800 VA
Standards	EN 60726 EN 60076

General properties

Applications	For industrial applications	Maximum ambient temperature ta	40 °C
Protection class	Prepared for protection class I	Temperature class transfo	B
Degree of protection	IP00	Finishing	Vacuum- and pressure- varnish impregnated

Electrical properties

Frequency	50-60 Hz	Efficiency	97 %
Po	54 W	Pcu	79 W
Dielectric Strength	-	Insulation resistance	-
Dielectric strength referred to frame	2500 Vac	Specific property	Yna connected
Voltage drop (dU%)	1,2 %	Short-circuit voltage (Ucc %)	-
Recommended fuse PRI	D25A / C50A (3x230V) D16A / C32A (3x400V)	Recommended fuse SEC	C20A (3x230V) C10A (3x400V)

Mechanical properties

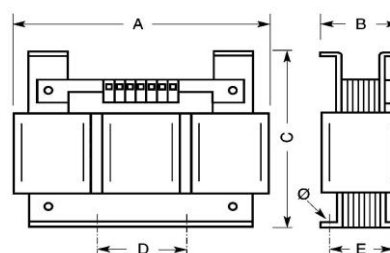
Primary connection	Screw terminals 4 mm ²
Secondary connection	Screw terminals 4 mm ²
Fixation	Supports with fixing holes

Protection case

Housing IP20	K20EI220
Housing IP23	K23EI220/001
Housing IP44	K44EI220/010

Dimensions/weight

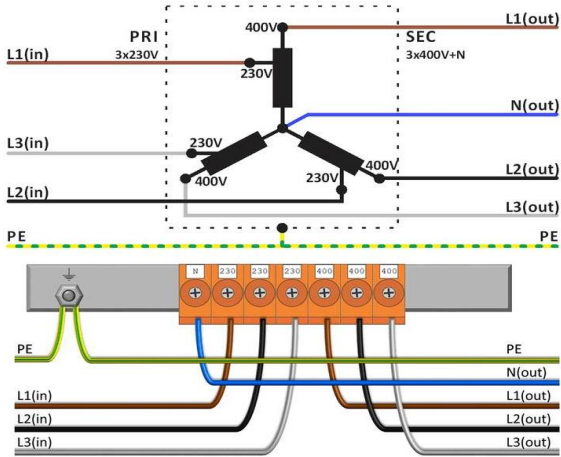
Dimensions AxBxC	260x150x240 mm
Dimension D	100 mm
Dimension E	127 mm
Dimension Φ	11 mm
Weight	30 kg



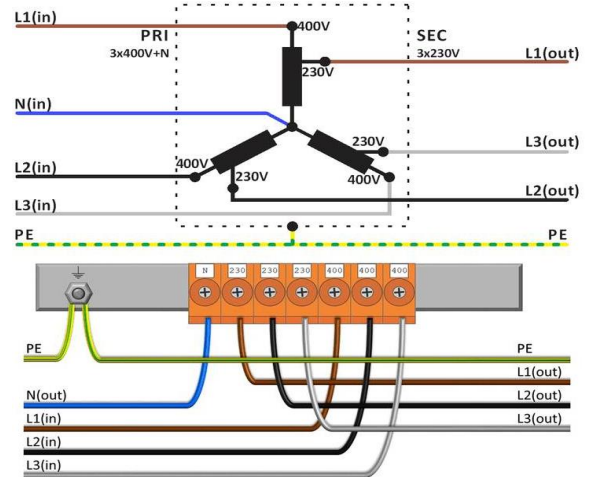


Connection diagram ATT 6800

230V Δ → 400V Y+N



400V Y+N → 230V Δ





Accessories ATT 6800

IP20 housing

K20EI220



IP23 housing

K23EI220/001



Vibration damper

(4 pieces needed per transformer)

Silent block 50



Inrush current limiter

IRC 230/400V-16A



rev. 12.11.2020