



# Technical datasheet

## ATT 63000



Brand	EREA
Article Number	ATT 63000
EAN-code Barcode	5414503000385
Code	2518
Product type	Three-phase autotransformer
Primary Voltage	3x 0-230-400V Y+N
Secondary Voltage	3 x 0-230-400V AC
Power	63 000 VA
Standards	EN 60726   EN 60076

### General properties

Applications	For industrial applications	Maximum ambient temperature ta	40 °C
Protection class	Prepared for protection class I	Temperature class transfo	F
Degree of protection	IP00	Finishing	Vacuum- and pressure- varnish impregnated

### Electrical properties

Frequency	50-60 Hz	Efficiency	98,5 %
Po	167 W	Pcu	767 W
Dielectric Strength	-	Insulation resistance	-
Dielectric strength referred to frame	2500 Vac	Specific property	Yna connected
Voltage drop (dU%)	1,3 %	Short-circuit voltage (Ucc %)	-
Recommended fuse PRI	MCCB200A ( 3x230V ) D100A ( 3x400V )	Recommended fuse SEC	MCCB160A ( 3x230V ) C100A ( 3x400V )

### Mechanical properties

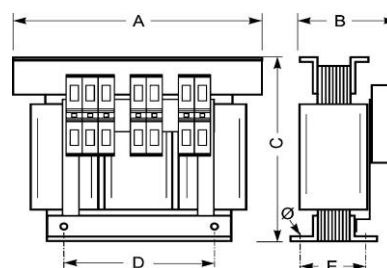
Primary connection	Nut fixing M10
Secondary connection	Nut fixing M10
Fixation	Supports with fixing holes

### Protection case

Housing IP20	U 2222721
Housing IP23	K23EI400/003
Housing IP44	K44EI400/020

### Dimensions/weight

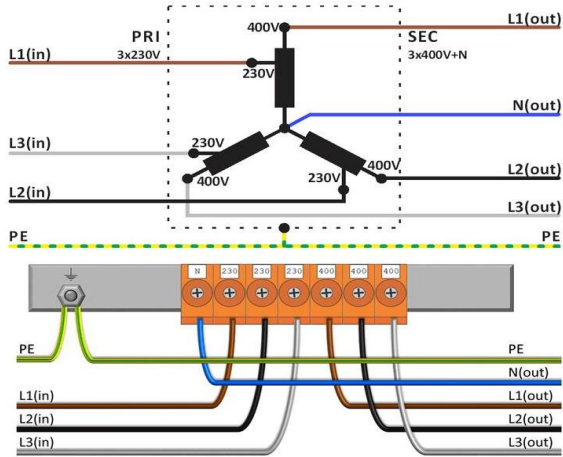
Dimensions AxBxC	480x305x415 mm
Dimension D	320 mm
Dimension E	190 mm
Dimension Φ	11 mm
Weight	120 kg



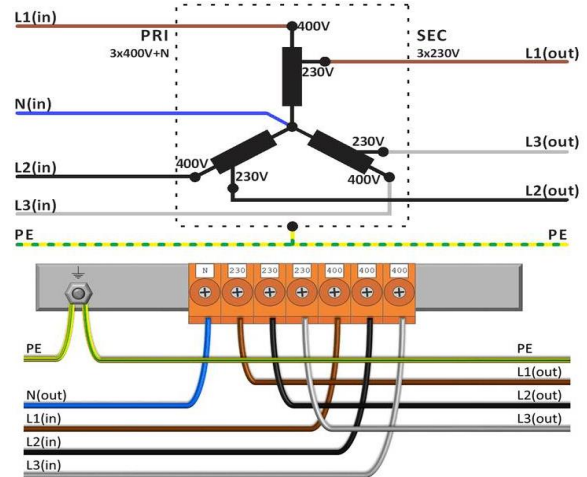


## Connection diagram ATT 63000

230V Δ → 400V Y+N



400V Y+N → 230V Δ





## Accessories ATT 63000

IP20 housing

**U 2222721**



IP23 housing

**K23EI400/003**



Vibration damper

(4 pieces needed per transformer)

**Silent block 50**

