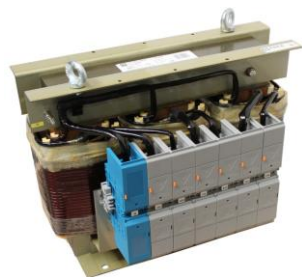




Technical datasheet

ATT 50000



Brand	EREA
Article Number	ATT 50000
EAN-code Barcode	5414503092427
Code	9242
Product type	Three-phase autotransformer
Primary Voltage	3x 0-230-400V Y+N
Secondary Voltage	3 x 0-230-400V AC
Power	50 000 VA
Standards	EN 60726 EN 60076

General properties

Applications	For industrial applications	Maximum ambient temperature ta	40 °C
Protection class	Prepared for protection class I	Temperature class transfo	F
Degree of protection	IP00	Finishing	Vacuum- and pressure- varnish impregnated

Electrical properties

Frequency	50-60 Hz	Efficiency	98,4 %
Po	130 W	Pcu	680 W
Dielectric Strength	-	Insulation resistance	-
Dielectric strength referred to frame	2500 Vac	Specific property	Yna connected
Voltage drop (dU%)	1,6 %	Short-circuit voltage (Ucc %)	-
Recommended fuse PRI	MCCB160A (3x230V) D80A (3x400V)	Recommended fuse SEC	C125A (3x230V) C80A (3x400V)

Mechanical properties

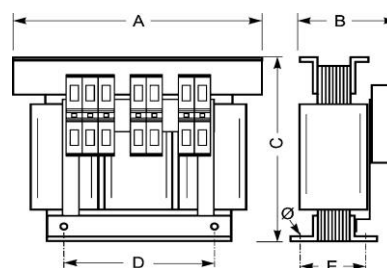
Primary connection	Nut fixing M10
Secondary connection	Nut fixing M10
Fixation	Supports with fixing holes

Protection case

Housing IP20	U 2222721
Housing IP23	K23EI400/007
Housing IP44	K44EI400/020

Dimensions/weight

Dimensions AxBxC	480x290x415 mm
Dimension D	320 mm
Dimension E	175 mm
Dimension Φ	11 mm
Weight	102 kg

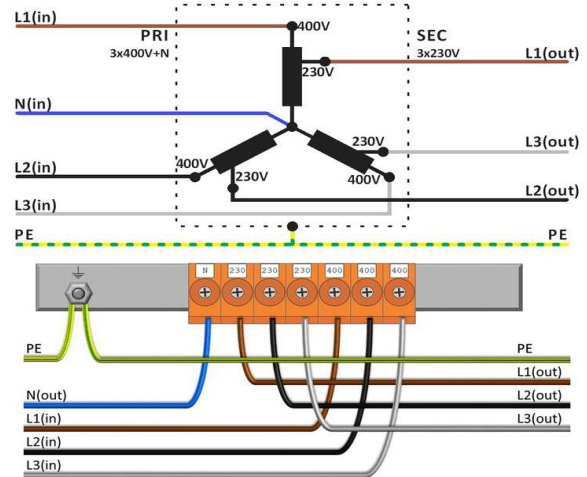
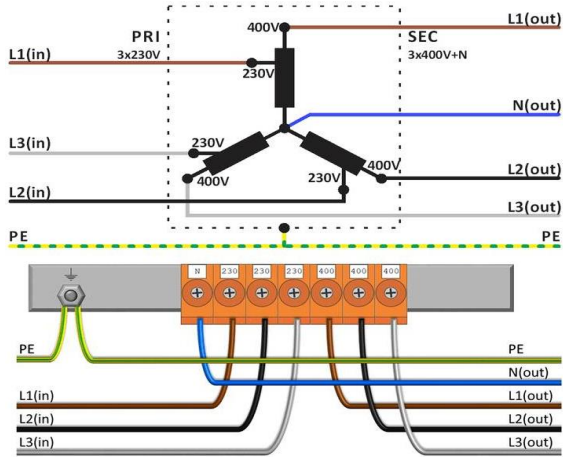




Connection diagram ATT 50000

230V Δ → 400V Y+N

400V Y+N → 230V Δ





Accessories ATT 50000

IP20 housing

U 2222721



IP23 housing

K23EI400/007



Vibration damper

(4 pieces needed per transformer)

Silent block 50

