



Technical datasheet

ATT 40000



Brand	EREA
Article Number	ATT 40000
EAN-code Barcode	5414503000361
Code	2516
Product type	Three-phase autotransformer
Primary Voltage	3x 0-230-400V Y+N
Secondary Voltage	3 x 0-230-400V AC
Power	40 000 VA
Standards	EN 60726 EN 60076

General properties

Applications	For industrial applications	Maximum ambient temperature ta	40 °C
Protection class	Prepared for protection class I	Temperature class transfo	F
Degree of protection	IP00	Finishing	Vacuum- and pressure- varnish impregnated

Electrical properties

Frequency	50-60 Hz	Efficiency	98 %
Po	110 W	Pcu	700 W
Dielectric Strength	-	Insulation resistance	-
Dielectric strength referred to frame	2500 Vac	Specific property	Yna connected
Voltage drop (dU%)	1,8 %	Short-circuit voltage (Ucc %)	-
Recommended fuse PRI	D125A (3x230V) D63A (3x400V)	Recommended fuse SEC	C100A (3x230V) C63A (3x400V)

Mechanical properties

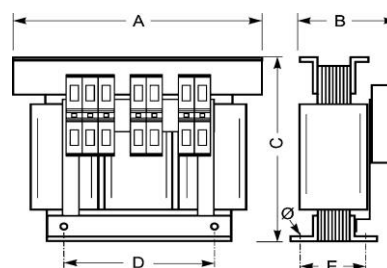
Primary connection	Nut fixing M8
Secondary connection	Nut fixing M8
Fixation	Supports with fixing holes

Protection case

Housing IP20	U 2222721
Housing IP23	K23EI400/005
Housing IP44	K44EI400/010

Dimensions/weight

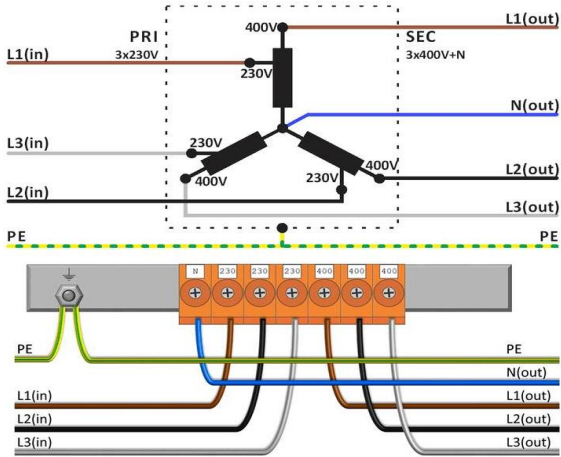
Dimensions AxBxC	480x260x415 mm
Dimension D	320 mm
Dimension E	160 mm
Dimension Φ	11 mm
Weight	85 kg



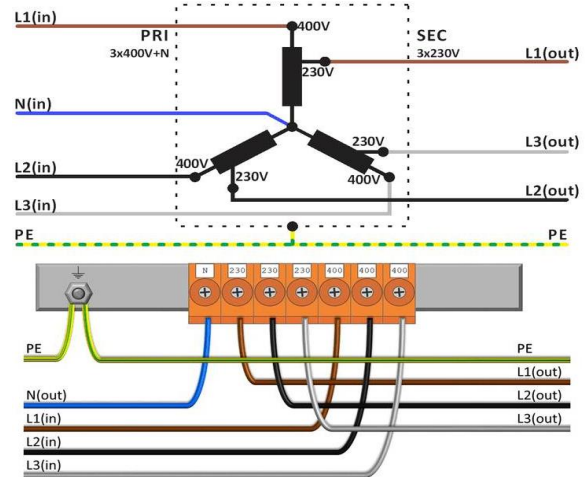


Connection diagram ATT 40000

230V Δ → 400V Y+N



400V Y+N → 230V Δ





Accessories ATT 40000

IP20 housing

U 2222721



IP23 housing

K23EI400/005



Vibration damper

(4 pieces needed per transformer)

Silent block 50

