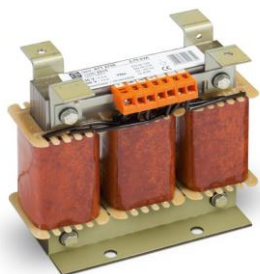




Technical datasheet

ATT 2750



Brand	EREA
Article Number	ATT 2750
EAN-code Barcode	5414503000354
Code	2515
Product type	Three-phase autotransformer
Primary Voltage	3x 0-230-400V Y+N
Secondary Voltage	3 x 0-230-400V AC
Power	2 750 VA
Standards	EN 60726 EN 60076

General properties

Applications	For industrial applications	Maximum ambient temperature ta	40 °C
Protection class	Prepared for protection class I	Temperature class transfo	B
Degree of protection	IP00	Finishing	Vacuum- and pressure- varnish impregnated

Electrical properties

Frequency	50-60 Hz	Efficiency	96,5 %
Po	28 W	Pcu	61 W
Dielectric Strength	-	Insulation resistance	-
Dielectric strength referred to frame	2500 Vac	Specific property	Yna connected
Voltage drop (dU%)	2,1 %	Short-circuit voltage (Ucc %)	-
Recommended fuse PRI	D10A / C20A (3x230V) D8A / C16A (3x400V)	Recommended fuse SEC	C8A (3x230V) C4A (3x400V)

Mechanical properties

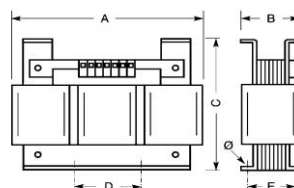
Primary connection	Screw terminals 2,5 mm ² (Neutral: 4mm ²)
Secondary connection	Screw terminals 2,5 mm ² (Neutral: 4mm ²)
Fixation	Supports with fixing holes

Protection case

Housing IP20	K20EI190
Housing IP23	K23EI190/001
Housing IP44	K44EI220/010

Dimensions/weight

Dimensions AxBxC	225x110x215 mm
Dimension D	87 mm
Dimension E	90 mm
Dimension Φ	9 mm
Weight	13 kg

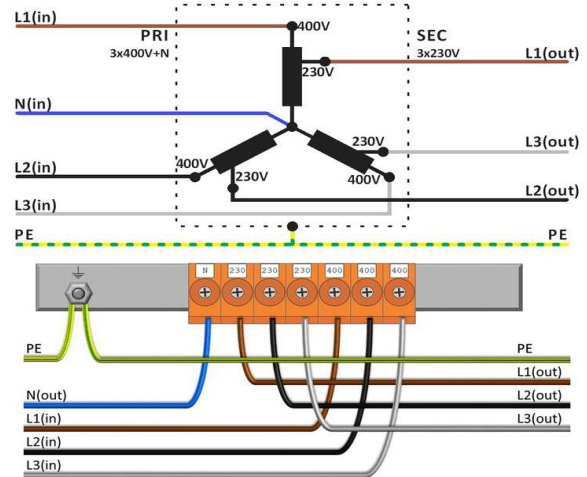
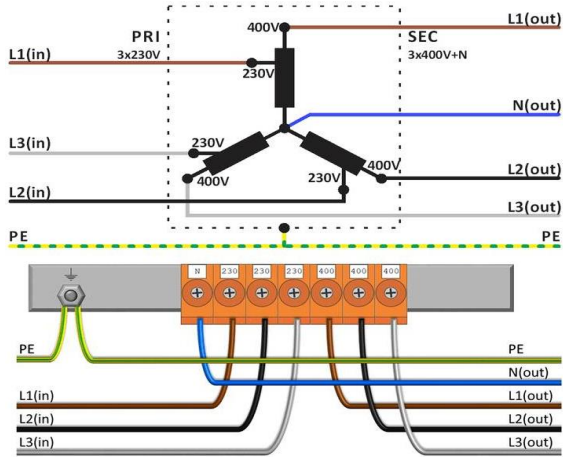




Connection diagram ATT 2750

230V Δ → 400V Y+N

400V Y+N → 230V Δ





Accessories ATT 2750

IP20 housing

K20EI190



IP23 housing

K23EI190/001



Vibration damper

(4 pieces needed per transformer)

Silent block 50



Inrush current limiter

IRC 230/400V-8A



rev. 12.11.2020