



# Technical datasheet ATT 25000



Brand	EREA
Article Number	ATT 25000
EAN-code Barcode	5414503000347
Code	2514
Product type	Three-phase autotransformer
Primary Voltage	3x 0-230-400V Y+N
Secondary Voltage	3 x 0-230-400V AC
Power	25 000 VA
Standards	EN 60726   EN 60076

## General properties

Applications	For industrial applications	Maximum ambient temperature ta	40 °C
Protection class	Prepared for protection class I	Temperature class transfo	B
Degree of protection	IP00	Finishing	Vacuum- and pressure- varnish impregnated

## Electrical properties

Frequency	50-60 Hz	Efficiency	99,6 %
Po	79 W	Pcu	259 W
Dielectric Strength	-	Insulation resistance	-
Dielectric strength referred to frame	2500 Vac	Specific property	Yna connected
Voltage drop (dU%)	1,03 %	Short-circuit voltage (Ucc %)	-
Recommended fuse PRI	D80A ( 3x230V ) D40A ( 3x400V )	Recommended fuse SEC	C63A ( 3x230V ) C40A ( 3x400V )

## Mechanical properties

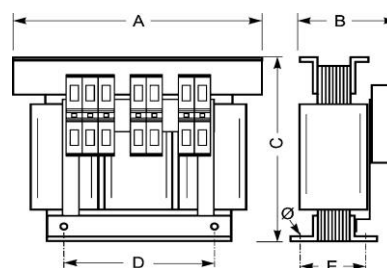
Primary connection	Nut fixing M8
Secondary connection	Nut fixing M8
Fixation	Supports with fixing holes

## Protection case

Housing IP20	U 2222720
Housing IP23	K23EI400/001
Housing IP44	K44EI400/010

## Dimensions/weight

Dimensions AxBxC	480x240x415 mm
Dimension D	320 mm
Dimension E	150 mm
Dimension Φ	11 mm
Weight	80 kg

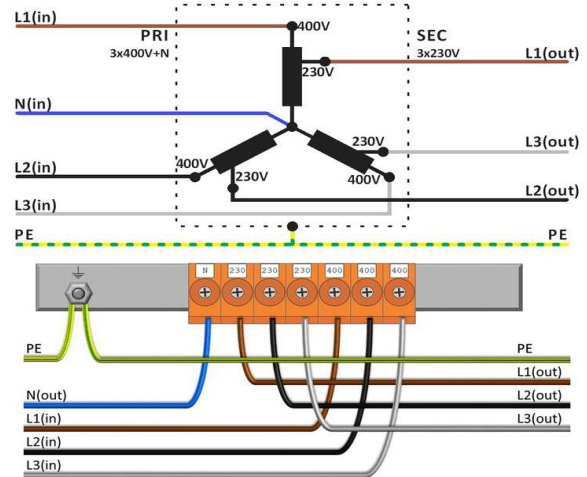
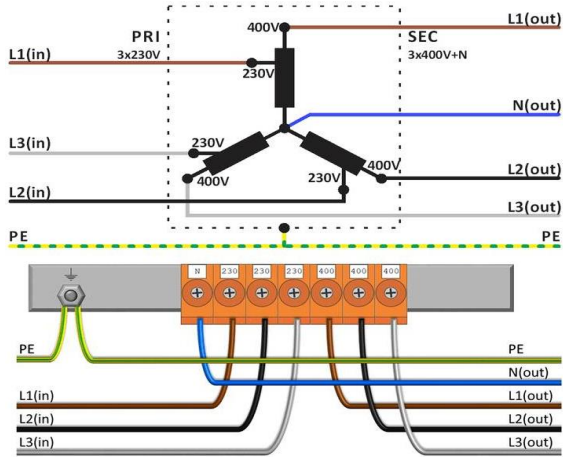




## Connection diagram ATT 25000

230V Δ → 400V Y+N

400V Y+N → 230V Δ





## Accessories ATT 25000

IP20 housing



**U 2222720**

IP23 housing



**K23EI400/001**

Vibration damper

(4 pieces needed per transformer)



**Silent block 50**

