



# Technical datasheet

## ATT 17500



Brand	EREA
Article Number	ATT 17500
EAN-code Barcode	5414503000330
Code	2513
Product type	Three-phase autotransformer
Primary Voltage	3x 0-230-400V Y+N
Secondary Voltage	3 x 0-230-400V AC
Power	17 500 VA
Standards	EN 60726   EN 60076

### General properties

Applications	For industrial applications	Maximum ambient temperature ta	40 °C
Protection class	Prepared for protection class I	Temperature class transfo	B
Degree of protection	IP00	Finishing	Vacuum- and pressure- varnish impregnated

### Electrical properties

Frequency	50-60 Hz	Efficiency	98 %
Po	85 W	Pcu	188 W
Dielectric Strength	-	Insulation resistance	-
Dielectric strength referred to frame	2500 Vac	Specific property	Yna connected
Voltage drop (dU%)	1,15 %	Short-circuit voltage (Ucc %)	-
Recommended fuse PRI	D63A ( 3x230V ) D32A / C63A ( 3x400V )	Recommended fuse SEC	C50A ( 3x230V ) C25A ( 3x400V )

### Mechanical properties

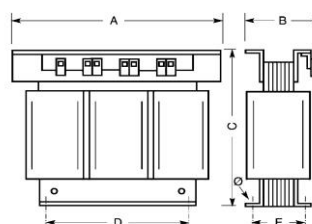
Primary connection	Screw terminals 10 mm <sup>2</sup>
Secondary connection	Screw terminals 10 mm <sup>2</sup>
Fixation	Supports with fixing holes

### Protection case

Housing IP20	U 222752
Housing IP23	K23EI300/005
Housing IP44	K44EI300/010

### Dimensions/weight

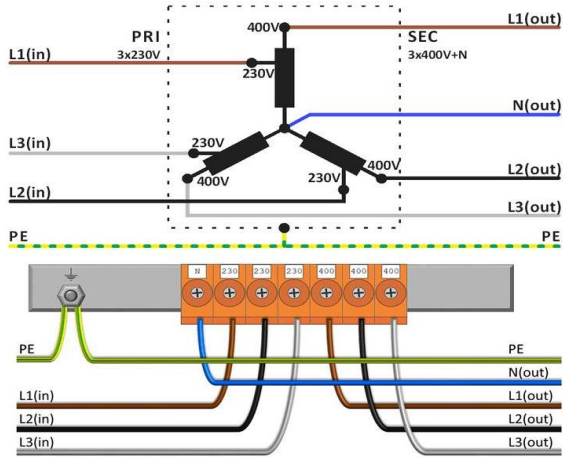
Dimensions AxBxC	360x175x310 mm
Dimension D	240 mm
Dimension E	145 mm
Dimension Φ	11 mm
Weight	59 kg



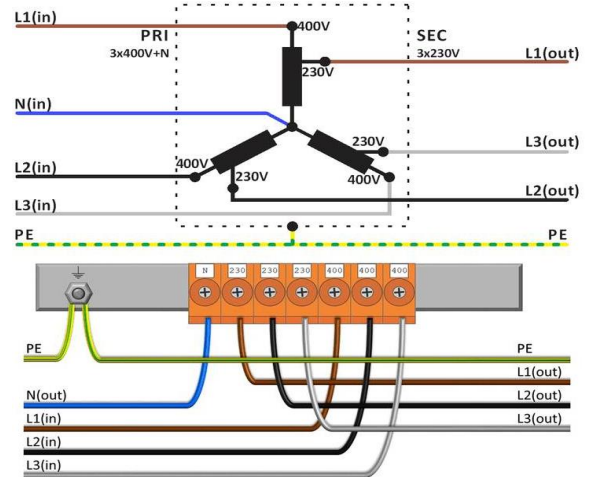


## Connection diagram ATT 17500

230V  $\Delta$   $\rightarrow$  400V Y+N



400V Y+N  $\rightarrow$  230V  $\Delta$





## Accessories ATT 17500

IP20 housing

**U 222752**



IP23 housing

**K23EI300/005**



Vibration damper

(4 pieces needed per transformer)

**Silent block 50**



Inrush current limiter

(Upri = 230V)

/

Inrush current limiter

(Upri = 400V)

**IRC 230/400V-25A**

