



Technical datasheet

ATT 120000



Brand	EREA
Article Number	ATT 120000
EAN-code Barcode	5414503092434
Code	9243
Product type	Three-phase autotransformer
Primary Voltage	3x 0-230-400V Y+N
Secondary Voltage	3 x 0-230-400V AC
Power	120 000 VA
Standards	EN 60726 EN 60076

General properties

Applications	For industrial applications	Maximum ambient temperature ta	40 °C
Protection class	Prepared for protection class I	Temperature class transfo	F
Degree of protection	IP00	Finishing	Vacuum- and pressure- varnish impregnated

Electrical properties

Frequency	50-60 Hz	Efficiency	98,9 %
Po	280 W	Pcu	1040 W
Dielectric Strength	-	Insulation resistance	-
Dielectric strength referred to frame	2500 Vac	Specific property	Yna connected
Voltage drop (dU%)	1,25 %	Short-circuit voltage (Ucc %)	-
Recommended fuse PRI	MCCB400A (3x230V) MCCB200A (3x400V)	Recommended fuse SEC	MCCB320A (3x230V) MCCB200A (3x400V)

Mechanical properties

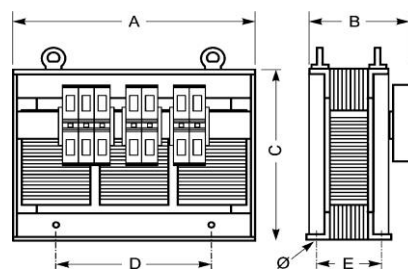
Primary connection	Nut fixing M16
Secondary connection	Nut fixing M16
Fixation	Supports with fixing holes

Protection case

Housing IP20	U 2222723
Housing IP23	K23EI500/001
Housing IP44	K44EI500/010

Dimensions/weight

Dimensions AxBxC	640x375x500 mm
Dimension D	400 mm
Dimension E	180 mm
Dimension Ø	11 mm
Weight	209 kg

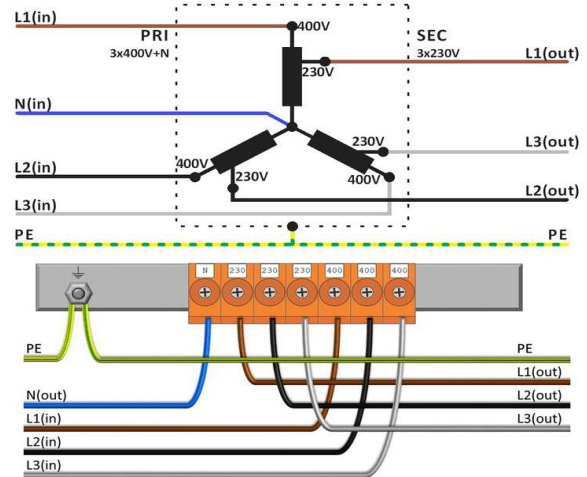
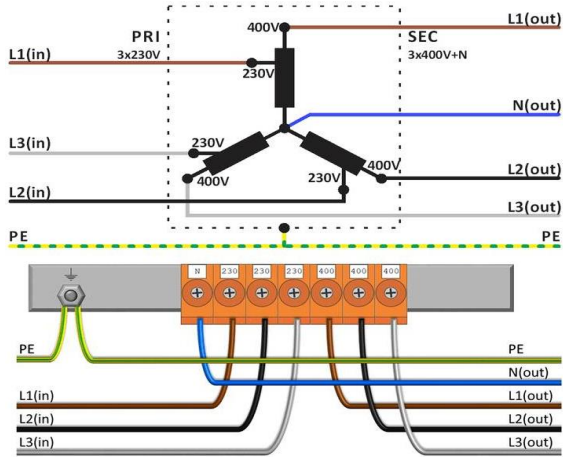




Connection diagram ATT 120000

230V Δ → 400V Y+N

400V Y+N → 230V Δ





Accessories ATT 120000

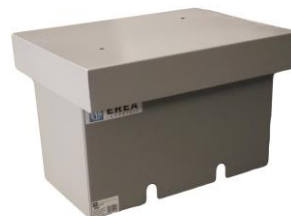
IP20 housing

U 2222723



IP23 housing

K23EI500/001



Vibration damper

(4 pieces needed per transformer)

Silent block 75

