



Technical datasheet

ATT 11000



Brand	EREA
Article Number	ATT 11000
EAN-code Barcode	5414503000323
Code	2512
Product type	Three-phase autotransformer
Primary Voltage	3x 0-230-400V Y+N
Secondary Voltage	3 x 0-230-400V AC
Power	11 000 VA
Standards	EN 60726 EN 60076

General properties

Applications	For industrial applications	Maximum ambient temperature ta	40 °C
Protection class	Prepared for protection class I	Temperature class transfo	B
Degree of protection	IP00	Finishing	Vacuum- and pressure- varnish impregnated

Electrical properties

Frequency	50-60 Hz	Efficiency	97 %
Po	56 W	Pcu	173 W
Dielectric Strength	-	Insulation resistance	-
Dielectric strength referred to frame	2500 Vac	Specific property	Yna connected
Voltage drop (dU%)	1,65 %	Short-circuit voltage (Ucc %)	-
Recommended fuse PRI	D40A (3x230V) D25A / C50A (3x400V)	Recommended fuse SEC	C32A (3x230V) C16A (3x400V)

Mechanical properties

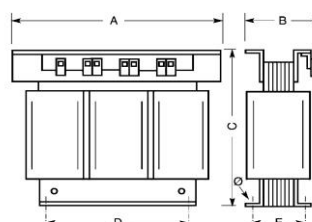
Primary connection	Screw terminals 10 mm ²
Secondary connection	Screw terminals 10 mm ²
Fixation	Supports with fixing holes

Protection case

Housing IP20	U 222752
Housing IP23	K23EI300/004
Housing IP44	K44EI300/010

Dimensions/weight

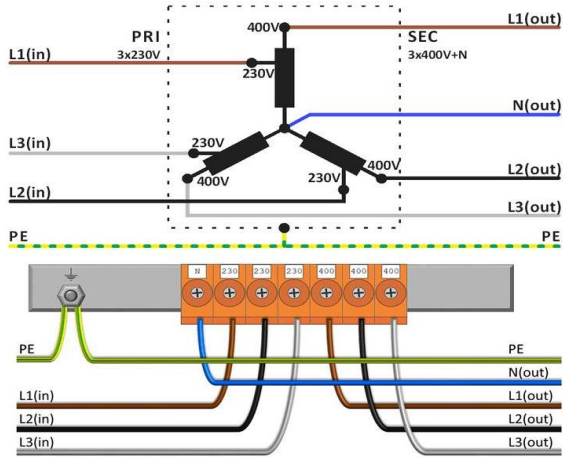
Dimensions AxBxC	360x150x310 mm
Dimension D	240 mm
Dimension E	120 mm
Dimension Φ	11 mm
Weight	43 kg



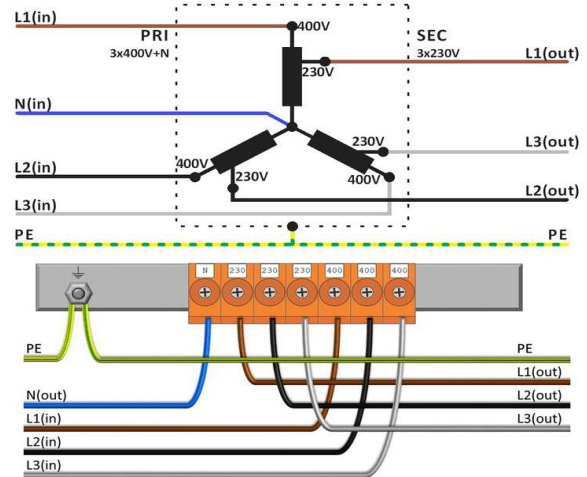


Connection diagram ATT 11000

230V Δ → 400V Y+N



400V Y+N → 230V Δ





Accessories ATT 11000

IP20 housing

U 222752



IP23 housing

K23EI300/004



Vibration damper

(4 pieces needed per transformer)

Silent block 50



Inrush current limiter

(Upri = 230V)

IRC 230/400V-25A



Inrush current limiter

(Upri = 400V)

IRC 230/400V-16A

