



Technical datasheet

230EC7400/IRC



Brand	EREA
Article Number	230EC7400/IRC
EAN-code Barcode	5414503115379
Code	11537
Product type	Single-phase isolating transformer
Primary Voltage	15-0-230V AC
Secondary Voltage	230V AC
Power	7 400 VA
Standards	EN 61558-2-4 EN 60742

General properties

Applications	For electric charging stations	Maximum ambient temperature ta	40 °C
Protection class	Prepared for protection class I	Temperature class transfo	B
Degree of protection	IP00	Finishing	Vacuum- and pressure- varnish impregnated

Electrical properties

Frequency	50-60 Hz	Efficiency	97,4 %
Po	45 W	Pcu	152 W
Dielectric Strength	4000 Vac	Insulation resistance	200 MΩ
Dielectric strength referred to frame	2000 Vac	Specific property	Low inrush current, low noise
Voltage drop (dU%)	2,1 %	Short-circuit voltage (Ucc %)	-
Recommended fuse PRI	C32A	Recommended fuse SEC	C32A

Mechanical properties

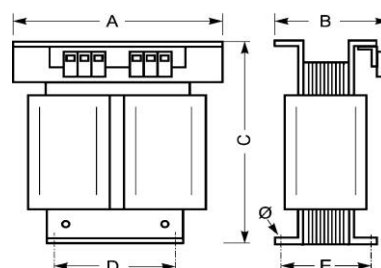
Primary connection	Screw terminals 10 mm ²
Secondary connection	Screw terminals 10 mm ²
Fixation	Supports with fixing holes

Protection case

Housing IP20	K20EC/035
Housing IP23	K23EC/035
Housing IP44	K44UI400/010

Dimensions/weight

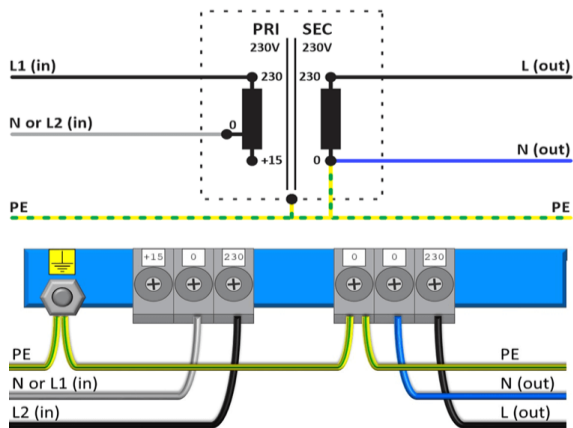
Dimensions AxBxC	280x230x365 mm
Dimension D	180 mm
Dimension E	178 mm
Dimension Φ	12 mm
Weight	76 kg



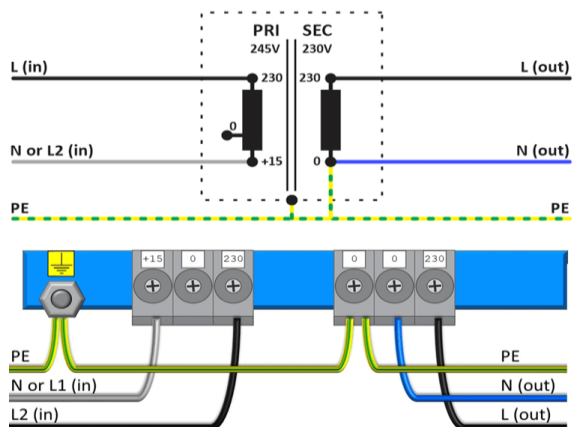


Connection diagram 230EC7400/IRC

230V → 230V



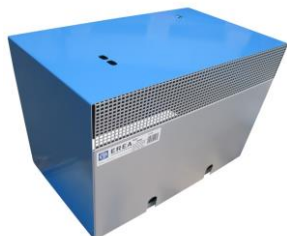
245V → 230V





Accessories 230EC7400/IRC

IP20 housing



K20EC/035

IP23 housing



K23EC/035

Vibration damper

(4 pieces needed per transformer)



Silent block 50



rev. 07.07.2021