



Technical datasheet

230EC11000/IRC



Brand	EREA
Article Number	230EC11000/IRC
EAN-code Barcode	5414503115805
Code	11580
Product type	Single-phase isolating transformer
Primary Voltage	15-0-230V AC
Secondary Voltage	230V AC
Power	11 000 VA
Standards	EN 61558-2-4 EN 60742

General properties

Applications	For electric charging stations	Maximum ambient temperature ta	40 °C
Protection class	Prepared for protection class I	Temperature class transfo	B
Degree of protection	IP00	Finishing	Vacuum- and pressure- varnish impregnated

Electrical properties

Frequency	50-60 Hz	Efficiency	98 %
Po	40 W	Pcu	190 W
Dielectric Strength	4000 Vac	Insulation resistance	200 MΩ
Dielectric strength referred to frame	2000 Vac	Specific property	Low inrush current, low noise
Voltage drop (dU%)	1,7 %	Short-circuit voltage (Ucc %)	-
Recommended fuse PRI	C50A	Recommended fuse SEC	C50A

Mechanical properties

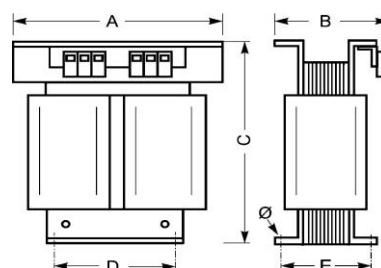
Primary connection	Nut fixing M8
Secondary connection	Nut fixing M8
Fixation	Supports with fixing holes

Protection case

Housing IP20	K20EC/045
Housing IP23	K23EC/045
Housing IP44	K44UI400/010

Dimensions/weight

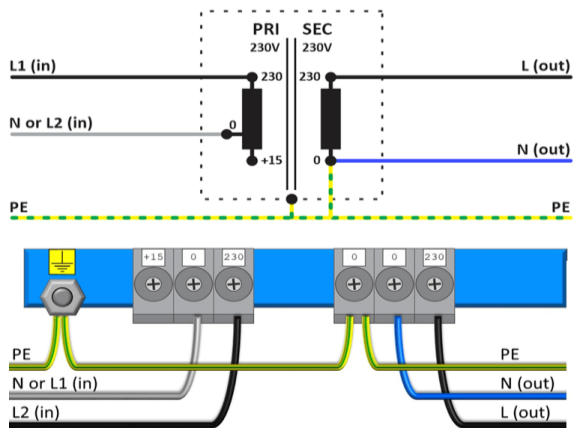
Dimensions AxBxC	320x260x415 mm
Dimension D	210 mm
Dimension E	220 mm
Dimension Φ	12 mm
Weight	107 kg



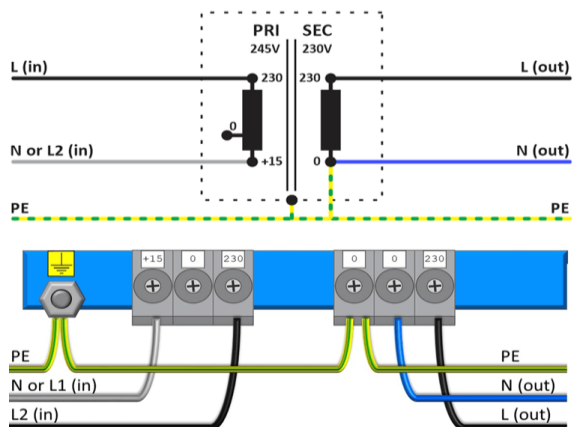


Connection diagram 230EC11000/IRC

230V → 230V



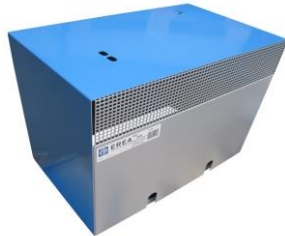
245V → 230V





Accessories 230EC11000/IRC

IP20 housing



K20EC/045

IP23 housing



K23EC/045

Vibration damper

(4 pieces needed per transformer)



Silent block 50

